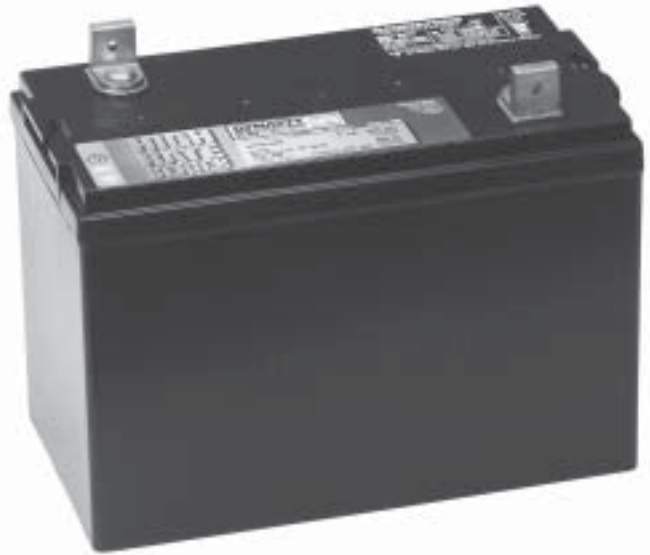


HIGH RATE SERIES



UPS6-620

**VALVE REGULATED
LEAD ACID BATTERY
FOR UPS STANDBY
POWER APPLICATIONS
6V 200 AH @ 20 HR RATE,
6V 620 WATTS/CELL
@ 15 MIN. RATE**

FEATURES

- 10 Year design life @ 25°C (77°F)
- Absorbent Glass Mat (AGM) technology for efficient gas recombination of up to 99% and freedom from electrolyte maintenance.
- Patented flame-arresting one-way pressure-relief valve providing vacuum and controlled backpressure for long life recombinant operation.
- Designed to comply with ANSI and Eurobat battery standards.
- Specifically designed for optimum performance in UPS applications.
- Proprietary computer modeled radial grid matrix using multiple conductors for providing the lowest internal resistance and highest current carrying efficiency.
- Proprietary Fixed Orifice Pasting technology applying active material on both sides of the grid for consistent cell-to-cell performance, highest paste packing efficiency and uniform grid protection.
- Lowest calcium levels among battery manufacturers minimizing grid growth and extending battery life.
- UL-recognized component.
- Thermally welded case-to-cover bond to eliminate leakage.
- Can be mounted in any orientation. Upright, side or end mounting recommended.
- Not restricted for air transport – Complies with IATA/ICAO Special Provision A67.
- Not restricted for surface transport – Classified as non-hazardous material as related to DOT-CFR Title 49 parts 171-189.
- Flame retardant polypropylene case and cover compliant with UL 1778 (optional).

6 Volts – 620 Watts Per Cell For 15 Minutes to 1.67 Volts per Cell

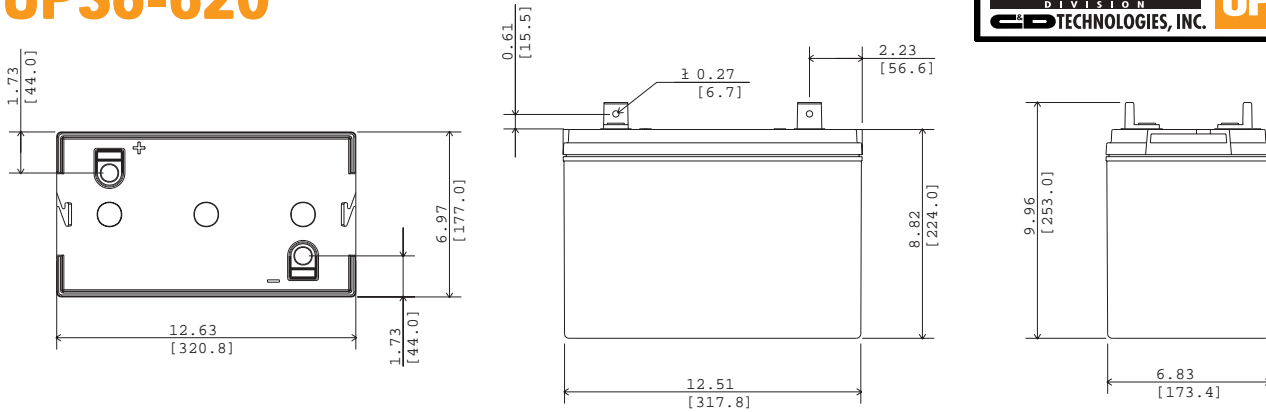
Constant Power Discharge Ratings – Watts Per Cell @ 77°F (25°C)

End Point Volts/Cell	Operating Time to End Point Voltage (in minutes)									
	5	10	15	20	30	40	45	50	60	90
1.67	938	748	620	526	413	335	306	282	245	174

C&D Technologies, Inc.
DYNASTY Division
900 East Keefe Avenue
Milwaukee, WI 53212
Phone: 800-396-2789
Fax: 414-961-6506



UPS6-620



UPS6-620 – Specifications

*All dimensions in inches and (millimeters). All dimensions are for reference only. Contact a C&D Representative for complete dimensional information.

Cells Per Unit	Voltage Per Unit	Weight	Electrolyte	Maximum Discharge Current	Short Circuit Current	Ohms Imped. 60 Hz (w)
3	6.42	72 lbs. 33 kg	Absorbed H ₂ SO ₄ SG = 1.300	800 Amps	4350 Amps @ 0.1 sec.	0.0015 Ohms

Capacity	620 watts per cell at the 15 minute rate to 1.67 volts per cell at 77° F (25° C). 200 Ah @ 20 hr. rate to 1.75 volts per cell @ 77° F (25° C) 170 Ah @ 10 hr rate to 1.80 volts per cell @ 20° C (68° F)
Operating Temperature Range	Discharge; -40° F (-40° C) to +160° F (71° C), Charge; -10° F (-23° C) to +140° F (60° C) (with temperature compensation)
Nominal Operating Temperature Range	+74° F (23° C) to +80° F (27° C)
Float Charging Voltage	6.75 to 6.90 VDC/unit Average at 77° F (25° C).
Recommended Maximum Charging Current Limit	C/5 amperes (40 amperes @ 100% depth of discharge) @ 20 hour rate
Equalization and Cycle Service Charging Voltage	7.2 to 7.4 VDC/unit Average at 77° F (25° C).
Maximum AC Ripple (Charger)	0.5% RMS or 1.5% of float charge voltage recommended for best results. Maximum voltage allowed = 1.4% RMS (4% P-P) Maximum current allowed = 9 amperes RMS (C/20)
Self Discharge	Dynasty UPS batteries may be stored for up to 6 months at 77° F (25° C) and then a freshening charge is required. For higher temperatures the time interval will be shorter.
Accessories	Inter unit connectors, racks and cabinet systems are available.
Terminal	"L" terminal with 0.28" clearance hole to accept 0.25" (6mm) bolt.
Terminal Hardware Initial Torque	75 in.-lbs. (8.5 N-m).
Terminal Hardware Annual Retorque	60 in.-lbs. (6.8 N-m)

Constant Power Discharge Ratings – Watts Per Cell @ 77°F (25°C)

Operating Time to End Point (in minutes)

End Point Volts/Cell	5	10	15	20	30	40	45	50	60	90
1.75	862	681	575	493	395	322	296	274	238	168
1.70	890	720	601	514	406	329	302	278	241	171
1.67	938	748	620	526	413	335	306	282	245	174
1.65	952	763	634	541	421	340	312	288	251	178
1.60	1000	796	653	555	432	349	319	295	256	183

Constant Current Discharge Ratings – Amperes @ 77°F (25°C)

Operating Time to End Point Voltage (in hours)

End Point Volts/Cell	.083	.25	.50	.75	1	2	3	5	8	10	12	20	24	72	100
1.90	255	205	150	116	95.0	57.3	42.0	27.9	19.0	15.8	13.7	8.90	7.56	2.65	1.92
1.85	325	240	172	131	106.0	62.0	45.5	30.0	20.3	16.9	14.5	9.30	7.83	2.73	1.98
1.80	390	276	188	142	113.0	66.0	48.0	31.4	21.2	17.6	15.1	9.70	8.17	2.80	2.03
1.75	467	300	203	151	121.0	68.5	50.0	32.4	21.9	18.1	15.5	10.0	8.42	2.88	2.08

Note: Batteries to be mounted with 0.5 in (1.25 cm) spacing minimum and free air ventilation. Specifications subject to change without notification.