

HIGH RATE SERIES



UPS12-475

**VALVE REGULATED
LEAD ACID BATTERY
FOR UPS STANDBY
POWER APPLICATIONS
12V 134 AH
@ 20 HR RATE,
12V 475 WATTS/CELL
@ 15 MIN. RATE**

FEATURES

- Flame-arresting one-way pressure-relief vent for safety and long life.
- Thermally welded case-to-cover bond to eliminate leakage.
- Absorbent Glass Mat (AGM) technology for efficient gas recombination of up to 99% and freedom from electrolyte maintenance.
- Computer-generated grid design optimized for high power density.
- UL-recognized component.
- Multicell design for economy of installation and maintenance.
- Can be mounted in any orientation.
- Not restricted for air transport – Complies with IATA/ICAO Special Provision A67
- Not restricted for surface transport – Classified as non-hazardous material as related to DOT-CFR Title 49 parts 171-189.
- Computer designed lead, low calcium alloy grid for minimal gassing and ease of recycling.
- Case and cover available in both standard and flame retardant polypropylene.
- Flame retardant polypropylene case and cover compliant with UL 1778 (optional).

12 Volts – 475 Watts Per Cell For 15 Minutes to 1.67 Volts per Cell

Constant Power Discharge Ratings – Watts Per Cell @ 77°F (25°C)

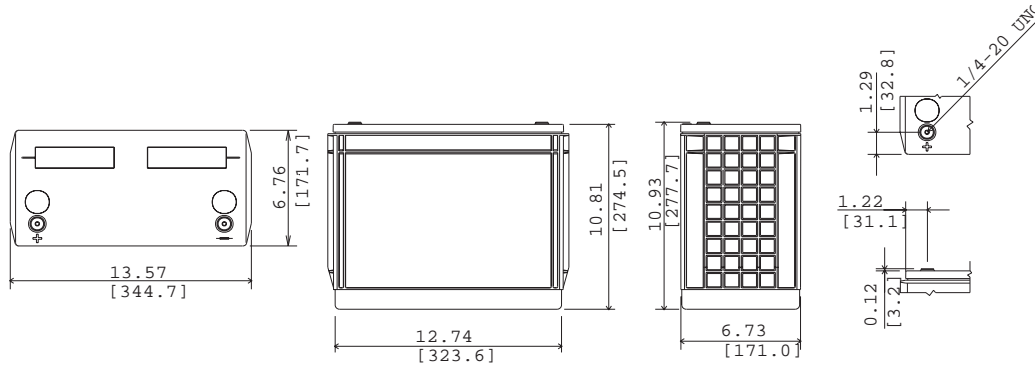
End Point Volts/Cell	Operating Time to End Point Voltage (in minutes)									
	5	10	15	20	30	40	45	50	60	90
1.67	745	565	475	380	305	248	229	210	180	126

C&D Technologies, Inc.
DYNASTY Division
900 East Keefe Avenue
Milwaukee, WI 53212
Phone: 800-396-2789
Fax: 414-961-6506

Form 41-7111 (Rev. 08/99) Printed in the U.S.A.



UPS12-475



*All dimensions in inches and (millimeters). All dimensions are for reference only. Contact a C&D Representative for complete dimensional information.

UPS12-475 – Specifications

Cells Per Unit	Voltage Per Unit	Weight	Electrolyte	Maximum Discharge Current	Short Circuit Current	Ohms Imped. 60 Hz (Ω)
6	12.84	100 lbs. 45 kg	Absorbed H ₂ SO ₄ SG = 1.300	800 Amps	5000 Amps @ 0.1 sec.	0.0023 Ohms
Capacity		475 watts per cell at the 15 minute rate to 1.67 volts per cell at 77° F (25° C). 134 Ah @ 20 hr. rate to 1.75 volts per cell @ 77° F (25° C) 122 Ah @ 10 hr rate to 1.80 volts per cell @ 20° C (68° F)				
Operating Temperature Range		Discharge; -40° F (-40° C) to +160° F (71° C), Charge; -10° F (-23° C) to +140° F (60°) (with temperature compensation)				
Nominal Operating Temperature Range		+74° F (23° C) to +80° F (27° C)				
Float Charging Voltage		13.5 to 13.8 VDC/unit Average at 77° F (25° C).				
Recommended Maximum Charging Current Limit		C/5 amperes (27 amperes @ 100% depth of discharge)				
Equalization and Cycle Service Charging Voltage		14.4 to 14.8 VDC/unit Average at 77° F (25° C).				
Maximum AC Ripple (Charger)		0.5% RMS or 1.5% P-P of float charge voltage recommended for best results. Maximum voltage allowed = 1.4% RMS (4% P-P) Maximum current allowed = 6.7 amperes (C/20)				
Self Discharge		Dynasty UPS batteries may be stored for up to 6 months at 77° F (25° C) and then a freshening charge is required. For higher temperatures the time interval will be shorter.				
Accessories		Inter unit connectors, racks and cabinet systems are available.				
Terminal		"L" terminal with 0.28" clearance hole to accept 0.25" (6mm) bolt.				
Terminal Hardware Initial Torque		Threaded copper insert.				
Terminal Hardware Annual Retorque		110 in.-lbs. (12.4 N-m)				

Constant Power Discharge Ratings – Watts Per Cell @ 77°F (25°C)

Operating Time to End Point Voltage (in minutes)

End Point Volts/Cell	5	10	15	20	30	40	45	50	60	90
1.75	685	515	430	365	300	240	220	200	175	125
1.70	725	555	460	375	302	245	226	208	178	126
1.67	745	565	475	380	305	248	229	210	180	126
1.65	750	575	480	382	308	250	230	211	182	126
1.60	780	590	485	385	310	252	232	212	185	127

Constant Current Discharge Ratings – Amperes @ 77°F (25°C)

Operating Time to End Point Voltage (in hours)

End Point Volts/Cell	1	2	3	5	8	10	12	24
1.90	70.4	42.2	30.8	20.2	13.4	11.03	9.36	4.96
1.85	79.3	46.8	33.9	22.1	14.6	11.90	10.20	5.40
1.80	84.9	49.3	35.3	23.0	15.2	12.40	10.59	5.60
1.75	88.3	50.5	36.3	23.4	15.9	12.74	10.74	5.68

Note: Batteries to be mounted with 0.5 in. spacing minimum and free air ventilation. Specifications subject to change without notification.