

# HIGH RATE SERIES



## UPS12-370

**VALVE REGULATED  
LEAD ACID BATTERY  
FOR UPS STANDBY  
POWER APPLICATIONS  
12V 100 AH @ 20 HR RATE,  
12V 391 WATTS/CELL  
@ 15 MIN. RATE**

### FEATURES

- Flame-arresting one-way pressure-relief vent for safety and long life.
- Thermally welded case-to-cover bond to eliminate leakage.
- Absorbent Glass Mat (AGM) technology for efficient gas recombination of up to 99% and freedom from electrolyte maintenance.
- Computer-generated grid design optimized for high power density.
- UL-recognized component.
- Multicell design for economy of installation and maintenance.
- Can be mounted in any orientation.
- Not restricted for air transport – Complies with IATA/ICAO Special Provision A67
- Not restricted for surface transport – Classified as non-hazardous material as related to DOT-CFR Title 49 parts 171-189.
- Computer designed lead, low calcium alloy grid for minimal gassing and ease of recycling.
- Case and cover available in both standard and flame retardant polypropylene.
- Flame retardant polypropylene case and cover compliant with UL 1778 (optional).

**12 Volts – 391 Watts Per Cell For 15 Minutes to 1.67 Volts per Cell**

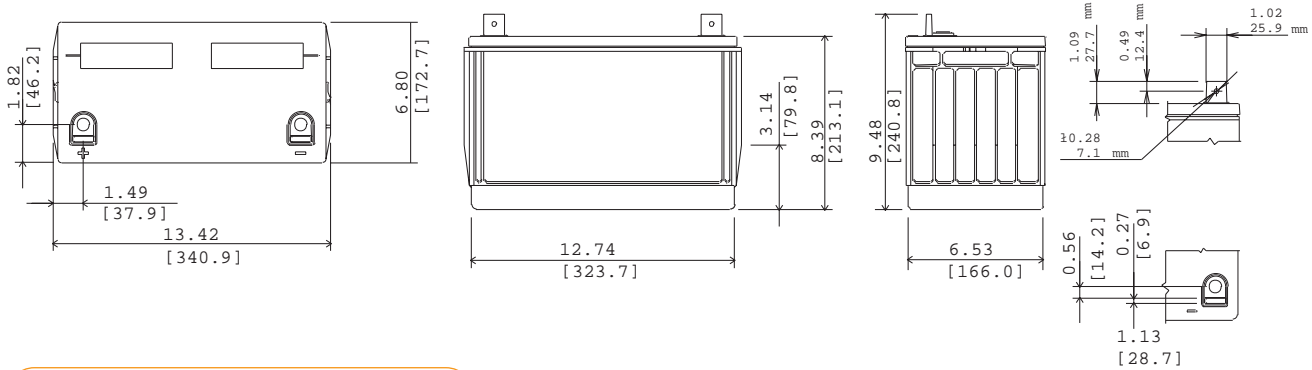
Constant Power Discharge Ratings – Watts Per Cell @ 77°F (25°C)

End Point Volts/Cell	Operating Time to End Point Voltage (in minutes)									
	5	10	15	20	30	40	45	50	60	90
1.67	714	505	391	320	237	189	172	158	136	105

C&D Technologies, Inc.  
DYNASTY Division  
900 East Keefe Avenue  
Milwaukee, WI 53212  
Phone: 800-396-2789  
Fax: 414-961-6506



# UPS12-370



## UPS12-370 – Specifications

\*All dimensions in inches and (millimeters). All dimensions are for reference only. Contact a C&D Representative for complete dimensional information.

Cells Per Unit	Voltage Per Unit	Weight	Electrolyte	Maximum Discharge Current	Short Circuit Current	Ohms Imped. 60 Hz (Ω)
6	12.84	74 lbs. 34 kg	Absorbed H <sub>2</sub> SO <sub>4</sub> SG = 1.300	800 Amps	5100 Amps @ 0.1 sec.	0.0025 Ohms
<b>Capacity</b>	391 watts per cell at the 15 minute rate to 1.67 volts per cell at 77° F (25° C). 100 Ah @ 20 hr. rate to 1.75 volts per cell @ 77° F (25° C) 85 Ah @ 10 hr rate to 1.80 volts per cell @ 20° C (68° F)					
<b>Operating Temperature Range</b>	<b>Discharge;</b> -40° F (-40° C) to +160° F (71° C), <b>Charge;</b> -10° F (-23° C) to +140° F (60° C) (with temperature compensation)					
<b>Nominal Operating Temperature Range</b>	+74° F (23° C) to +80° F (27° C)					
<b>Float Charging Voltage</b>	13.5 to 13.8 VDC/unit Average at 77° F (25° C).					
<b>Recommended Maximum Charging Current Limit</b>	C/5 amperes (20 amperes @ 100% depth of discharge) @ 20 hour rate					
<b>Equalization and Cycle Service Charging Voltage</b>	14.4 to 14.8 VDC/unit Average at 77° F (25° C).					
<b>Maximum AC Ripple (Charger)</b>	0.5% RMS or 1.5% P-P of float charge voltage recommended for best results. Maximum voltage allowed = 1.4% RMS (4% P-P) Maximum current allowed = 5 amperes RMS (C/20)					
<b>Self Discharge</b>	Dynasty UPS batteries may be stored for up to 6 months at 77° F (25° C) and then a freshening charge is required. For higher temperatures the time interval will be shorter.					
<b>Accessories</b>	Inter unit connectors, racks and cabinet systems are available.					
<b>Terminal</b>	"L" terminal with 0.28" clearance hole to accept 0.25" (6mm) bolt.					
<b>Terminal Hardware Initial Torque</b>	65 in.-lbs. (7.4 N-m).					
<b>Terminal Hardware Annual Retorque</b>	52 in.-lbs. (5.88 N-m)					

## Constant Power Discharge Ratings – Watts Per Cell @ 77°F (25°C)

Operating Time to End Point Voltage (in minutes)

End Point Volts/Cell	5	10	15	20	30	40	45	50	60	90
1.75	662	475	372	307	229	184	168	154	133	103
1.70	700	496	386	316	235	188	171	157	135	105
1.67	714	505	391	320	237	189	172	158	136	105
1.65	723	510	394	322	238	190	172	158	136	105
1.60	740	518	399	325	239	191	173	159	137	107

## Constant Current Discharge Ratings – Amperes @ 77°F (25°C)

Operating Time to End Point Voltage (in hours)

End Point Volts/Cell	.083	.25	.50	.75	1	2	3	5	8	10	12	20	24	72	100
1.90	156	110	75.0	61.0	47.0	28.9	21.0	14.0	9.50	7.90	6.73	4.34	3.65	1.26	0.91
1.85	203	136	92.0	73.5	55.0	31.4	22.8	15.0	10.1	8.44	7.23	4.67	3.92	1.37	0.99
1.80	240	151	99.0	79.5	60.1	34.0	24.2	15.8	10.7	8.80	7.58	4.89	4.10	1.42	1.03
1.75	274	162	105	83.2	61.5	34.8	25.0	16.2	11.0	9.08	7.79	5.00	4.19	1.43	1.04

**Note:** Batteries to be mounted with 0.5 in (1.25 cm) spacing minimum and free air ventilation. Specifications subject to change without notification.