

Rechargeable Sealed Lead-Acid Battery

PS-12260
12 Volt 26 Amp. Hrs.



Features:

- Absorbent Glass Mat (AGM) technology for superior performance.
- Valve regulated, spill-proof construction.
- Power/volume ratio yielding unrivaled energy density.
- Rugged ABS plastic case and cover
- Approved for transport by air. D.O.T., I.A.T.A., F.A.A. and C.A.B. certified.
- U.L. recognized under file number MH 14328.

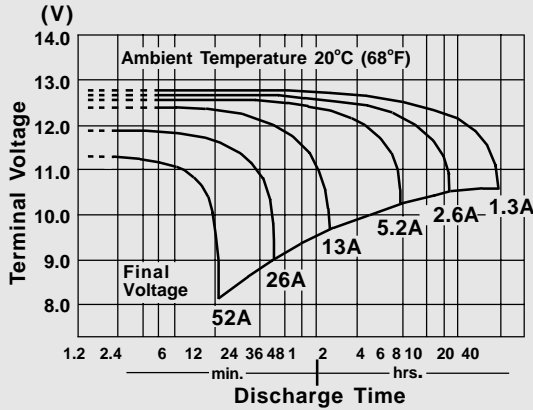


PERFORMANCE SPECIFICATIONS

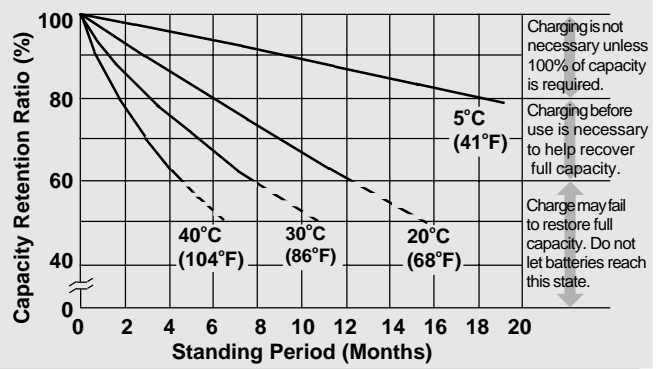
Nominal Voltage	12 volts (6 cells in series)
Nominal Capacity	
20 hour rate (1300mA to 10.50 volts)	26.0 A.H.
10 hour rate (2450mA to 10.50 volts)	24.5 A.H.
5 hour rate (4500mA to 10.20 volts)	22.5 A.H.
1 hour rate (16A to 9.00 volts)	16.0 A.H.
Approximate Weight	20.8 pounds (9.4 kg)
Energy Density (20 hour rate)	1.41 Watt-hours/cubic inch (86 Watt-hours/l)
Specific Energy (20 hour rate)	15.0 Watt-hours/pound (33.0 Watt-hours/kg)
Internal Resistance (Fully Charged Battery)	10 milliohms (approximately)
Maximum Discharge Current (≤ 7 Min.)	78 amperes
Maximum Short-Duration Discharge Current (≤ 10 Sec.)	260 amperes
Terminals	“F2”: Quick disconnect tabs, 0.250” x 0.032” “NB”: Nut and bolt terminal
Vibration Test (2000 cycles/minute, 0.10 inch excursion, 2 hours)	No loss in capacity or performance
Shelf Life — % of nominal capacity at 68° F (20° C)	
1 Month.....	97%
3 Months.....	91%
6 Months.....	83%
Operating Temperature Range	
Charge	-4°F (-20°C) to 122°F (50°C)
Discharge	-4°F (-20°C) to 140°F (60°C)
Case	ABS plastic

CONSTANT POWER DISCHARGE RATINGS							
MODEL	FINAL VOLTAGE	WATTS PER CELL @ 25° C					
		5 MIN	10 MIN	15 MIN	20 MIN	30 MIN	60 MIN
PS-12260	1.75	157	110	84	69	48	30
	1.70	165	114	87	71	50	32
	1.67	170	116	88	72	52	33

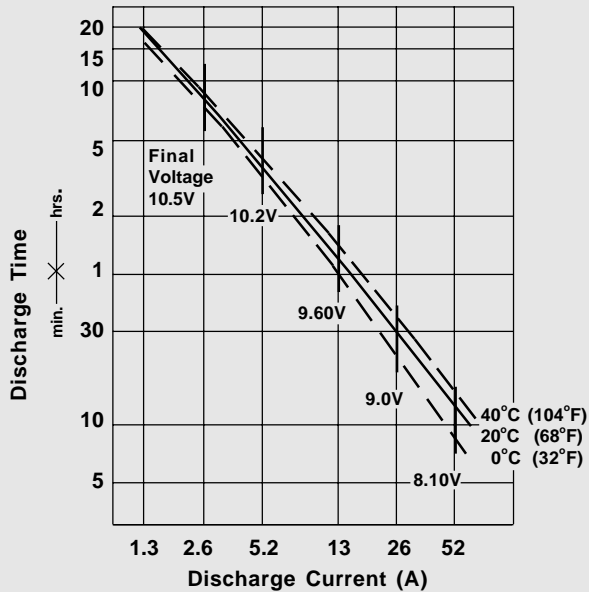
Discharge Characteristics



Shelf Life and Storage



Discharge Time vs. Discharge Current

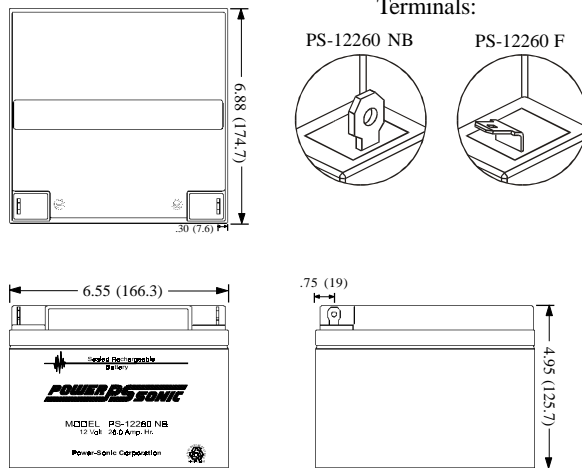


CHARGING

Cycle Applications: Limit initial current to 5.2A Charge until battery voltage (under charge) reaches 14.40 to 14.70 volts at 68°F (20°C). Hold at 14.40 to 14.70 volts until current drops to approximately 260mA.
“Float” or “Stand-By” Service: Hold battery across constant voltage source of 13.50 to 13.80 volts continuously.

NOTE: Due to the self-discharge characteristics of this type of battery, it is imperative that they be charged after 6-9 months of storage, otherwise permanent loss of capacity might occur as a result of sulfation.

Physical Dimensions: in. (mm)



Tolerances are +/- 0.04 in. (+/- 1mm) and +/- 0.08 in. (+/- 2mm) for height dimensions.

All Data Subject to Change Without Notice



SALES & MARKETING
 3106 Spring Street
 Redwood City, CA 94063 USA
 Tel: 650-364-5001 Fax: 650-366-3662
 national-sales@power-sonic.com



www.power-sonic.com

ISO9002

FM39170

FM39171

CUSTOMER SERVICE
 9163 Siempre Viva Road
 San Diego, CA 92154 USA
 Tel: 619-661-2030 Fax: 619-661-3648
 battery@power-sonic.com