



# HR 1214W F2

## 12V 14W

HR 1214W F2 is specially designed for high efficient discharge application. Its characteristics are small volume, light weight and high discharge efficiency. It can be used for more than 260 cycles at 100% discharge in cycle service, or three to five years in standby service.



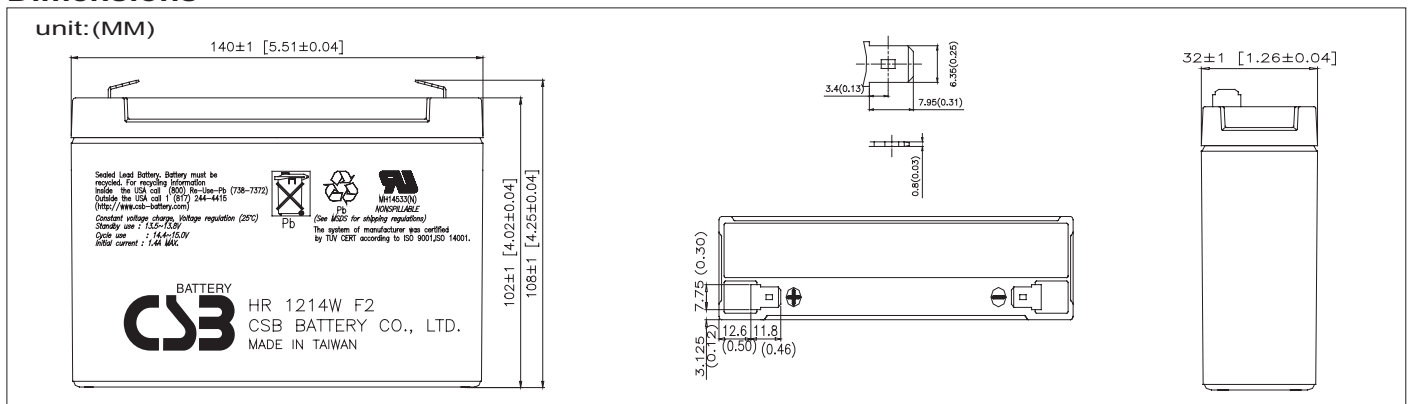
### Specification

|  |  |
|--|--|
| Cells Per Unit                             | 6  |
| Voltage Per Unit                           | 12   |
| Capacity                                   | 14W @ 15minute-rate to 1.67V per cell @25 °C(77°F)   |
| Weight                                     | Approx. 1.40kg(3.08 lbs)   |
| Maximum Discharge Current                  | 60A(5sec)  |
| Internal Resistance                        | Approx. 30mΩ   |
| Operating Temperature Range                | Discharge: -15°C~50°C (5°F~122°F)<br>Charge: -15~40°C (5°F~104°F)<br>Storage: -15°C~40°C (5°F~104°F)   |
| Nominal Operating Temperature Range        | 25°C±3°C(77°F±5°F)   |
| Float Charging Voltage                     | 13.5 to 13.8 VDC/unit Average at 25°C(77°F)  |
| Recommended Maximum Charging Current Limit | 1.4A   |
| Equalization and Cycle Service             | 14.4 to 15.0 VDC/unit Average at 25°C(77°F)  |
| Self Discharge                             | CSB Batteries can be stored for more than 6 months at 25°C(77°F). Please charge batteries before using. For higher temperatures the time interval will be shorter. |
| Terminal                                   | Faston Tab 250   |
| Container Material                         | -ABS (UL94-HB)*Flammability resistance of UL94-V0 can be available upon request.   |



CSB-manufactured batteries are UL-recognized components under UL924 as well as ISO 9001 and ISO 14001 certified.

### Dimensions



### Constant Current Discharge Characteristics Unit:A (25°C,77°F)

| F.V/Time | 2MIN | 4MIN | 6MIN | 8MIN | 10MIN | 15MIN | 20MIN | 30MIN | 60MIN | 90MIN |
|----------|------|------|------|------|-------|-------|-------|-------|-------|-------|
| 1.60V    | 22.3 | 16.8 | 13.3 | 11.2 | 9.50  | 8.00  | 6.88  | 4.48  | 2.16  | 1.62  |
| 1.67V    | 21.6 | 16.2 | 13.0 | 11.0 | 9.38  | 7.66  | 6.45  | 4.36  | 2.14  | 1.54  |
| 1.70V    | 21.3 | 15.9 | 12.8 | 10.9 | 9.33  | 7.52  | 6.26  | 4.31  | 2.13  | 1.50  |
| 1.75V    | 20.3 | 15.3 | 12.4 | 10.5 | 9.02  | 7.31  | 6.10  | 4.14  | 2.08  | 1.50  |
| 1.80V    | 19.2 | 14.8 | 12.0 | 10.2 | 8.71  | 7.10  | 5.93  | 3.97  | 2.03  | 1.49  |
| 1.85V    | 18.1 | 14.2 | 11.6 | 9.80 | 8.40  | 6.89  | 5.77  | 3.80  | 1.98  | 1.49  |

### Constant Power Discharge Characteristics Unit:W (25°C,77°F)

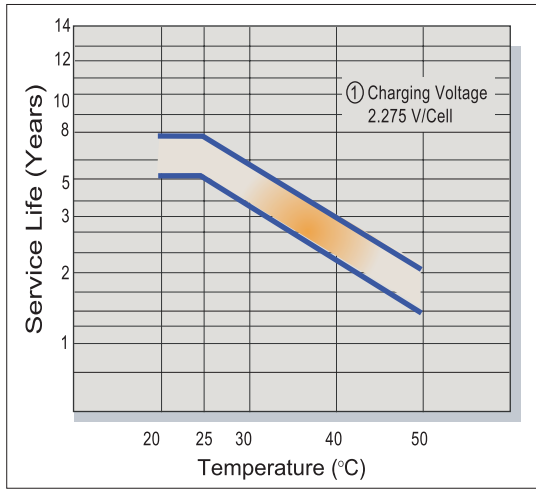
| F.V/Time | 2MIN | 4MIN | 6MIN | 8MIN | 10MIN | 15MIN | 20MIN | 30MIN | 60MIN | 90MIN |
|----------|------|------|------|------|-------|-------|-------|-------|-------|-------|
| 1.60V    | 267  | 201  | 160  | 134  | 114   | 96.0  | 82.5  | 53.7  | 25.9  | 19.4  |
| 1.67V    | 259  | 194  | 156  | 132  | 113   | 91.9  | 77.3  | 52.3  | 25.7  | 18.4  |
| 1.70V    | 256  | 191  | 154  | 131  | 112   | 90.2  | 75.1  | 51.7  | 25.6  | 18.0  |
| 1.75V    | 243  | 184  | 149  | 127  | 109   | 87.7  | 73.2  | 49.7  | 25.0  | 18.0  |
| 1.80V    | 230  | 177  | 144  | 122  | 105   | 85.2  | 71.2  | 47.6  | 24.4  | 17.9  |
| 1.85V    | 217  | 170  | 139  | 118  | 102   | 82.7  | 69.3  | 45.6  | 23.8  | 17.9  |

- All mentioned values are average values.
- Low rate discharge mode (over 90 mins.) is not recommended.

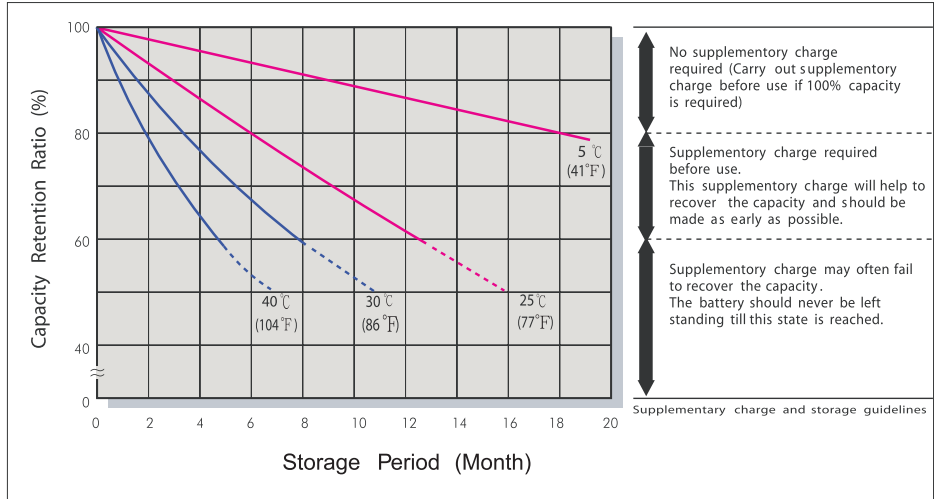
# HR 1214W 12V 14W



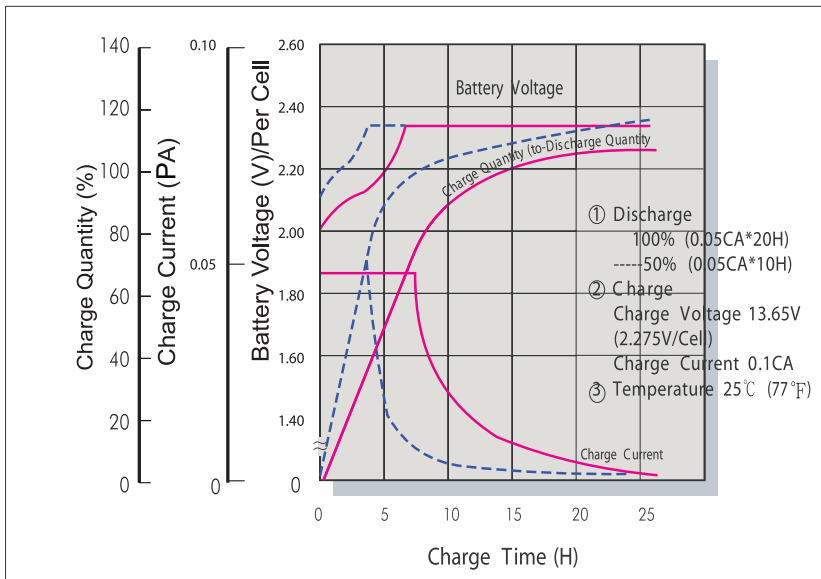
## Trickle (or Float) Service Life



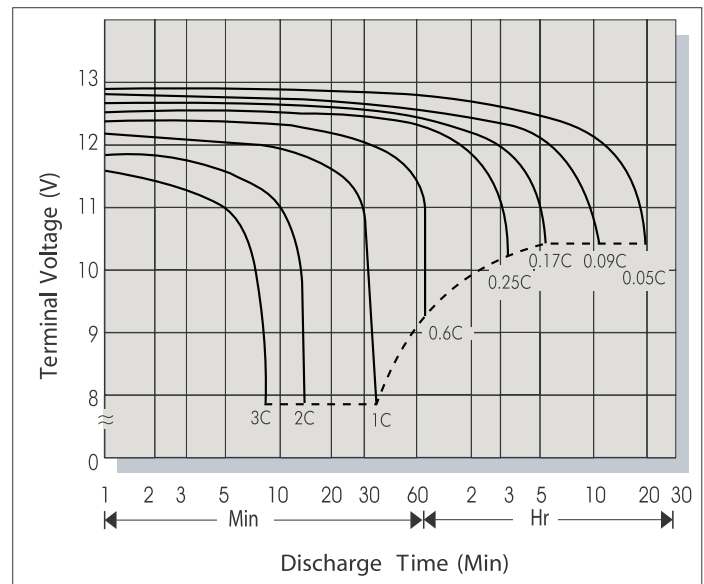
## Capacity Retention Characteristic



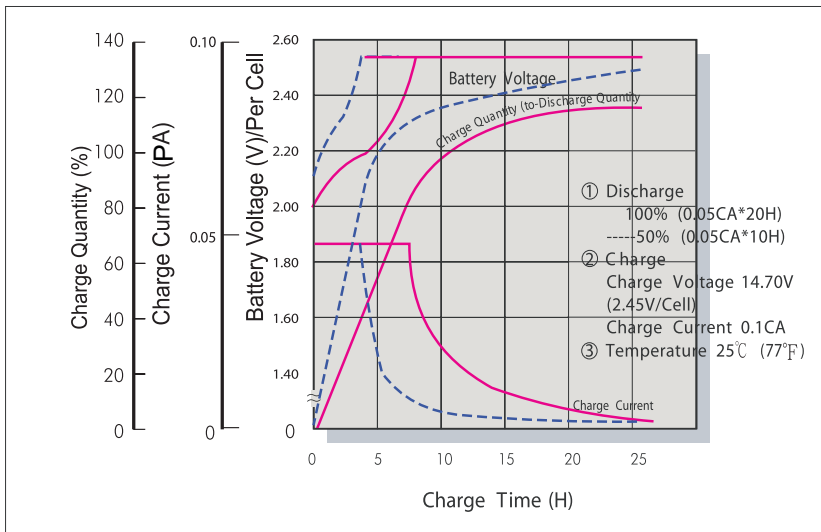
## Battery Voltage and Charge Time for Standby Use



## Terminal Voltage (V) and Discharge Time (25°C/77°F)



## Battery Voltage and Charge Time for Cycle Use



## Discharge Current VS. Discharge Voltage

|                                |           |                |                |          |
|--------------------------------|-----------|----------------|----------------|----------|
| Final Discharge Voltage V/Cell | 1.75      | 1.70           | 1.55           | 1.30     |
| Discharge Current (A)          | 0.2C >(A) | 0.2C <(A)<0.5C | 0.5C <(A)<1.0C | (A)>1.0C |

## Charging Procedures

| Application | Charge Voltage (V/Cell) |           |                 | Max. Charge Current |
|-------------|-------------------------|-----------|-----------------|---------------------|
|             | Temperature             | Set Point | Allowable Range |                     |
| Cycle Use   | 25°C(77°F)              | 2.45      | 2.40~2.50       | 0.1PA               |
| Standby     | 25°C(77°F)              | 2.275     | 2.25~2.30       |                     |

Sales Office URL: [WWW.CSB-BATTERY.COM](http://WWW.CSB-BATTERY.COM)

**CSB BATTERY CO., LTD.**  
TAIWAN OFFICE  
Tel: +886-2-8751-5000  
Fax: +886-2-8751-6161  
E-mail: [service@csb-battery.com.tw](mailto:service@csb-battery.com.tw)

**CSB BATTERY LOGISTICS (SHANGHAI) CO., LTD.**  
SHANGHAI OFFICE  
Tel: +86-21-5046-1622, 5046-0833  
Fax: +86-21-5064-3314

**CSB BATTERY TECHNOLOGIES, INC**  
USA OFFICE  
Tel: +1-817-244-7777/1-8003 CSBUSA(272872)  
Fax: +1-817-244-4445  
E-mail: [csb@csb-battery.com](mailto:csb@csb-battery.com)

**CSB BATTERY LOGISTICS (SHANGHAI) CO., LTD.**  
BEIJING OFFICE  
Tel: +86-10-6597-8060, 6597-8070  
Fax: +86-10-6597-8050  
E-mail: [chinasl@csb-battery.com](mailto:chinasl@csb-battery.com)

**CSB BATTERY OF NETHERLANDS B.V**  
NETHERLANDS OFFICE  
Tel: +31(0) 180 418 140  
Fax: +31(0) 180 418 327  
E-mail: [eurosales@csb-battery.com](mailto:eurosales@csb-battery.com)

**CSB BATTERY LOGISTICS (SHANGHAI) CO., LTD.**  
SHENZHEN OFFICE  
Tel: +86-755-88316356 88316488 88316396  
Fax: +86-755-88316548  
E-mail: [she@csb-battery.com](mailto:she@csb-battery.com)