



GP 1272

12V 7.2Ah

GP 1272 is a general purpose battery with 3-5 years in standby service or more than 260 cycles at 100% discharge in cycle service. As with all CSB batteries, all are rechargeable, highly efficient, leak proof and maintenance free.



Specification

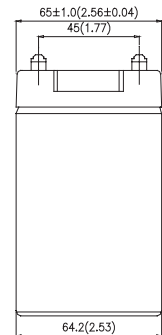
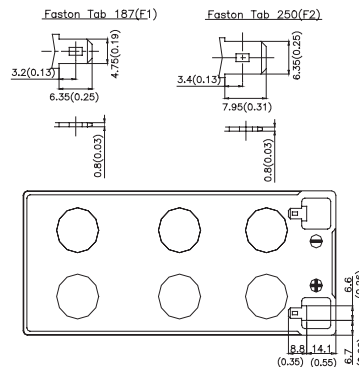
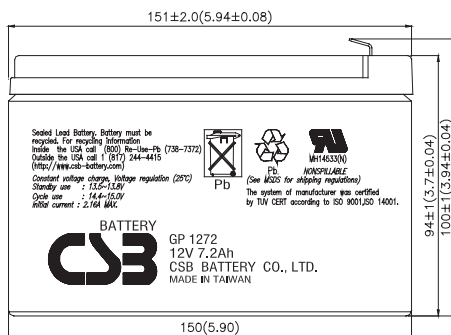
Cells Per Unit	6
Voltage Per Unit	12
Capacity	7.2Ah @ 20hr-rate to 1.75V per cell @25 °C(77°F)
Weight	Approx. 2.4kg(5.28lbs)
Maximum Discharge Current	100A/130A(5sec)
Internal Resistance	Approx. 23mΩ
Operating Temperature Range	Discharge: -15°C~50°C (5°F~122°F) Charge: -15~40°C (5°F~104°F) Storage: -15°C~40°C (5°F~104°F)
Nominal Operating Temperature Range	25°C±3°C(77°F±5°F)
Float Charging Voltage	13.5 to 13.8 VDC/unit Average at 25°C(77°F)
Recommended Maximum Charging	2.16A
Current Limit	
Equalization and Cycle Service	14.4 to 15.0 VDC/unit Average at 25°C(77°F)
Self Discharge	CSB Batteries can be stored for more than 6 months at 25°C(77°F). Please charge batteries before using. For higher temperatures the time interval will be shorter.
Terminal	Faston Tab 187/250
Container Material	-ABS (UL94-HB)*Flammability resistance of UL94-V0 can be available upon request.



CSB-manufactured batteries are UL-recognized components under UL924 and UL1989. CSB is also certified by ISO 9001 and ISO 14001.

Dimensions

unit: (MM)



Constant Current Discharge Characteristics Unit:A (25°C,77°F)

F.V/Time	5MIN	10MIN	15MIN	30MIN	1HR	2HR	3HR	4HR	5HR	8HR	10HR	20HR
1.60V	28.58	18.58	14.25	8.75	5.28	3.06	2.18	1.72	1.42	0.93	0.76	0.40
1.67V	26.77	17.88	13.90	8.69	5.27	3.05	2.17	1.71	1.41	0.93	0.75	0.39
1.70V	26.00	17.58	13.75	8.67	5.26	3.05	2.17	1.71	1.41	0.93	0.75	0.38
1.75V	24.25	16.79	13.29	8.55	5.24	3.03	2.16	1.71	1.41	0.93	0.74	0.37
1.80V	22.50	16.00	12.83	8.42	5.22	3.00	2.15	1.70	1.40	0.92	0.73	0.36
1.85V	20.75	15.21	12.37	8.30	5.20	2.98	2.14	1.70	1.40	0.92	0.72	0.35

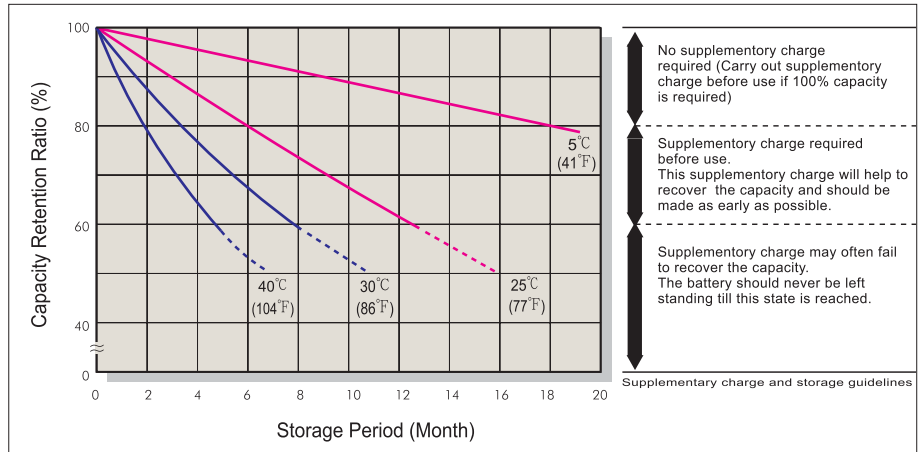
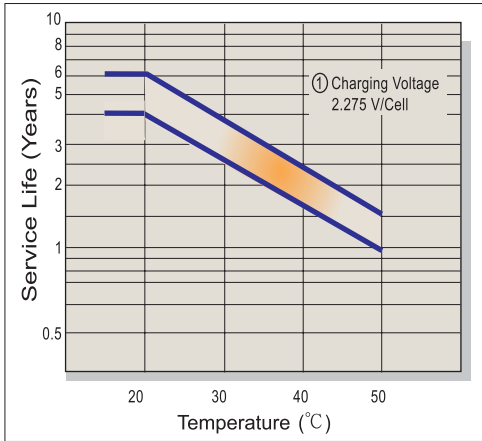
Constant Power Discharge Characteristics Unit:W (25°C,77°F)

F.V/Time	5MIN	10MIN	15MIN	30MIN	1HR	2HR	3HR	4HR	5HR	8HR	10HR	20HR
1.60V	343.00	223.00	171.00	105.00	63.40	36.60	26.20	20.70	17.00	11.20	9.10	4.74
1.67V	321.30	214.60	166.80	104.30	63.19	36.39	26.06	20.63	16.93	11.13	9.02	4.62
1.70V	312.00	211.00	165.00	104.00	63.10	36.30	26.00	20.60	16.90	11.10	8.99	4.57
1.75V	291.00	201.50	159.50	102.50	62.85	36.15	25.90	20.55	16.85	11.00	8.87	4.44
1.80V	270.00	192.00	154.00	101.00	62.60	36.00	25.80	20.50	16.80	10.90	8.75	4.31
1.85V	249.00	182.50	148.50	99.50	62.35	35.85	25.70	20.45	16.75	10.80	8.63	4.18

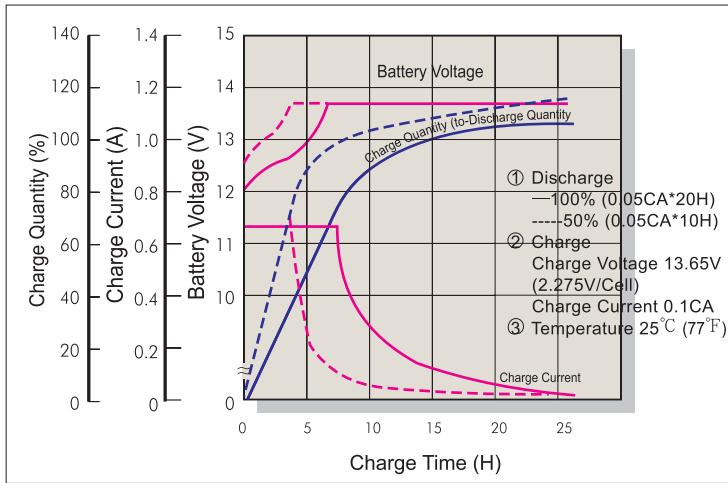
● All mentioned values are average values.

Capacity Retention Characteristic

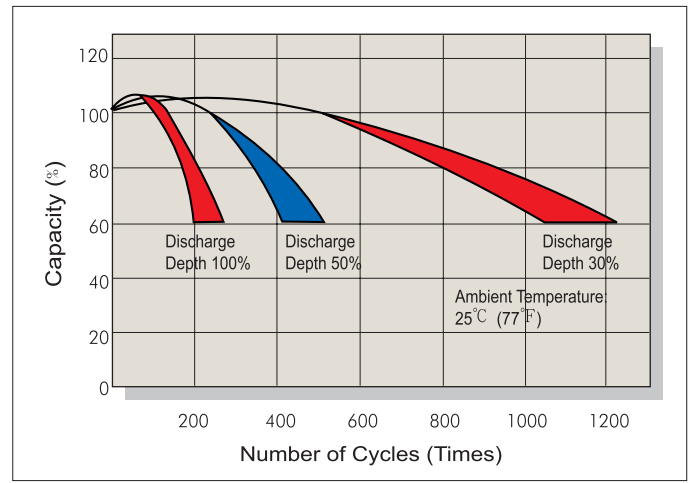
Trickle (or Float) Service Life



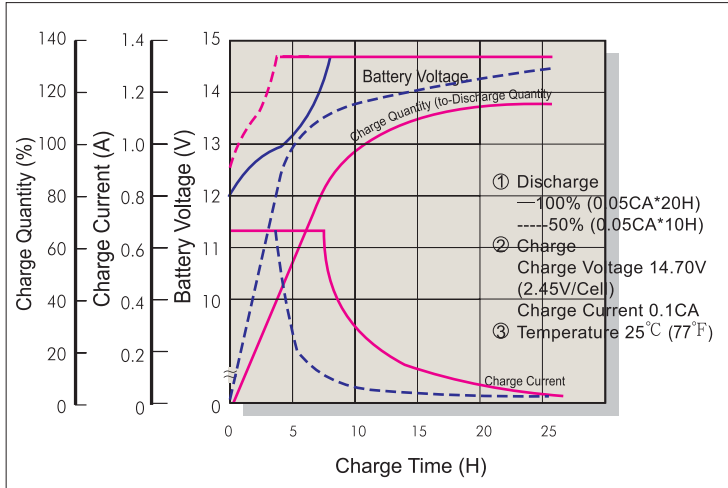
Battery Voltage and Charge Time for Standby Use



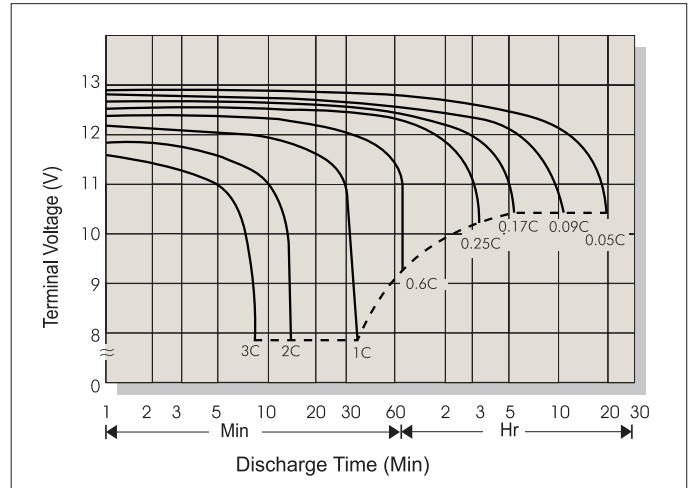
Cycle Service Life



Battery Voltage and Charge Time for Cycle Use



Terminal Voltage (V) and Discharge Time (25°C 77°F)



Charging Procedures

Application	Charge Voltage (V/Cell)			Max. Charge Current
	Temperature	Set Point	Allowable Range	
Cycle Use	25°C (77°F)	2.45	2.40~2.50	0.3C
Standby	25°C (77°F)	2.275	2.25~2.30	

Discharge Current VS. Discharge Voltage

Final Discharge Voltage V/Cell	1.75	1.70	1.55	1.30
Discharge Current (A)	0.2C > (A)	0.2C < (A) < 0.5C	0.5C < (A) < 1.0C	(A) > 1.0C

Sales Office URL: WWW.CSB-BATTERY.COM

CSB BATTERY CO., LTD.
TAIWAN OFFICE
 Tel: +886-2-8751-5000
 Fax: +886-2-8751-6161
 E-mail: service@csb-battery.com.tw

CSB BATTERY LOGISTICS (SHANGHAI) CO., LTD.
SHANGHAI OFFICE
 Tel: +86-21-5046-1622, 5046-0833
 Fax: +86-21-5064-3314

CSB BATTERY TECHNOLOGIES, INC
USA OFFICE
 Tel: +1-817-244-7777/1-8003 CSBUSA(272872)
 Fax: +1-817-244-4445
 E-mail: csb@csb-battery.com

CSB BATTERY LOGISTICS (SHANGHAI) CO., LTD.
BEIJING OFFICE
 Tel: +86-10-6597-8060, 6597-8070
 Fax: +86-10-6597-8050
 E-mail: chinastls@csb-battery.com

CSB BATTERY OF NETHERLANDS B.V
NETHERLANDS OFFICE
 Tel: +31(0) 180 418 140
 Fax: +31(0) 180 418 327
 E-mail: eurosales@csb-battery.com

CSB BATTERY LOGISTICS (SHANGHAI) CO., LTD.
SHENZHEN OFFICE
 Tel: +86-755-88316356 88316488 88316396
 Fax: +86-755-88316548
 E-mail: she@csb-battery.com.tw