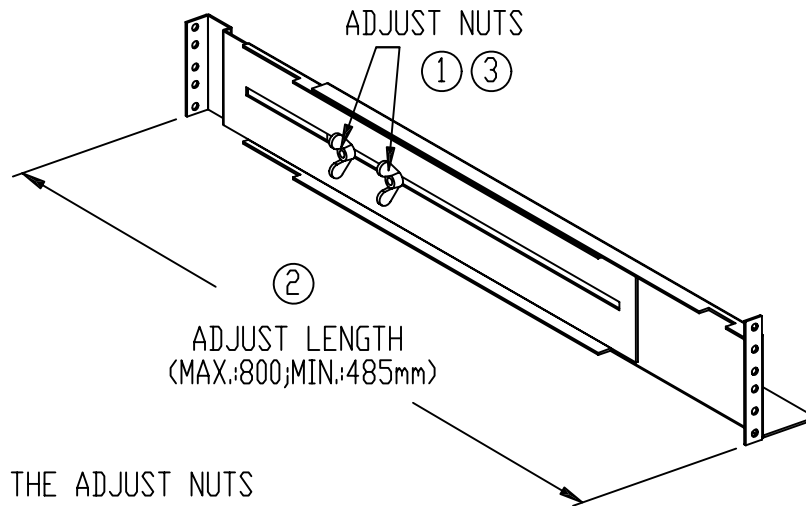


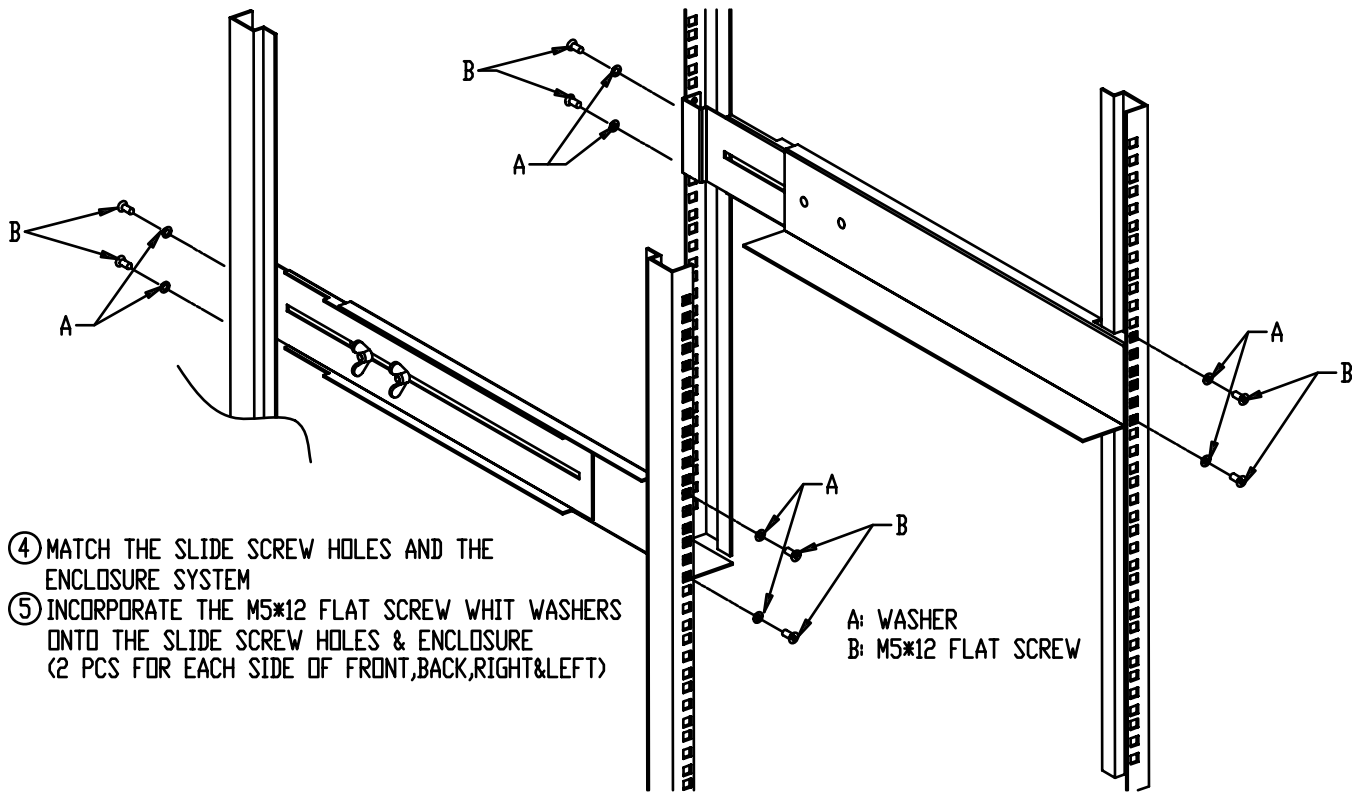
XPRT-RR2 Rack Solution

4-Post Rail Kit

User & Installation Manual



- ① LOOSE THE ADJUST NUTS
- ② ADJUST THE LENGTH TO MATCH THE ENCLOSURE SYSTEM
- ③ LOCK UP THE ADJUST NUTS



- ④ MATCH THE SLIDE SCREW HOLES AND THE ENCLOSURE SYSTEM
- ⑤ INCORPORATE THE M5*12 FLAT SCREW WITH WASHERS ONTO THE SLIDE SCREW HOLES & ENCLOSURE (2 PCS FOR EACH SIDE OF FRONT, BACK, RIGHT & LEFT)