



**VISION Rechargeable Products  
Sealed Lead Acid Battery**

[www.vision-batt.com](http://www.vision-batt.com)

## UNA Series

### High Rate Discharge

The new VISION UNA series batteries are specially designed for applications where need high power output. By optimum design of battery grids and plate paste formula, the UNA series can deliver up to 40% more power than VISION standard CP/FM series.

Shenzhen Center Power Tech Co., Ltd has more than 20 year's experience in the manufacturing of VRLA batteries.

SZCPT is one of the largest manufacturers of SLA (or VRLA) batteries in the world, the largest one in Mainland China and the first in China to develop and commercialize the sealed lead-acid battery with brand name VISION and has been at the forefront of battery technology from day one.

SZCPT leads the world in innovative battery technology. Our global network of sales and service engineers, backed in turn by our agents and distributors, means that we are currently active in more than 100 countries.

**Shenzhen Center Power Tech. Co., Ltd**

# UNA12-320 12V 320W

(Edition 2014-9)

## General Features

- Positive and negative plates in lead-calcium tin alloy
- Superior energy density
- Operates at a low internal pressure.
- Gas Recombination
- Usable in any orientation
- A recognized component of UL
- Case and cover available in both standard ABS and flame restardant ABS (UL 94-V0).
- Very high power output
- Application specific designs
- A couple Range from 90W to 540W per cell for 15' @ 1.67Vpc
- Six months shelf life at 20°C
- Design life 10 years



## Dimensions and Weight

	<i>Metric Units</i>	<i>English Units</i>
Length	258mm	10.2inch
Width	166mm	6.54inch
Height	210mm	8.27inch
Total Height	215mm	8.46inch
Approx. Weight	24.5Kg	54.0lbs

## Performance Characteristics

- Nominal Voltage 12V
- Number of cell 6
- Nominal Capacity 77°F(25°C)
  - 15 min wattage @1.67V 320W/cell
  - 10 hour rate (7.50A, 10.8V) 75Ah
  - 20 hour rate (4.00A, 10.5V) 80Ah
- Torque setting:8.5NM
- Internal Resistance
  - Fully Charged battery 77°F(25°C) ≤ 5.0mOhms
- Self-Discharge
  - 3% of capacity declined per month at 20°C(average)
- Operating Temperature Range
  - Discharge -20~60°C
  - Charge -10~60°C
  - Storage -20~60°C
- Max. Discharge Current 77°F(25°C) 700A(5s)
- Charge Methods: Constant Voltage Charge 77°F(25°C)
  - Cycle use 14.4V-14.7V
  - Maximum charging current 22.5A
  - Temperature compensation -30mV/°C
- Standby use 13.4V-13.8V
  - Temperature compensation -20mV/°C



Center Power Industrial Park, Tongfu Industrial District Dapeng Town, 518120 Shenzhen, China  
 Tel: 86 755 84318088 Fax: 86 755 84318038 E-mail: [sales@vision-batt.com](mailto:sales@vision-batt.com)  
 Website: <http://www.vision-batt.com>

**UNA12-320 12V 320W**

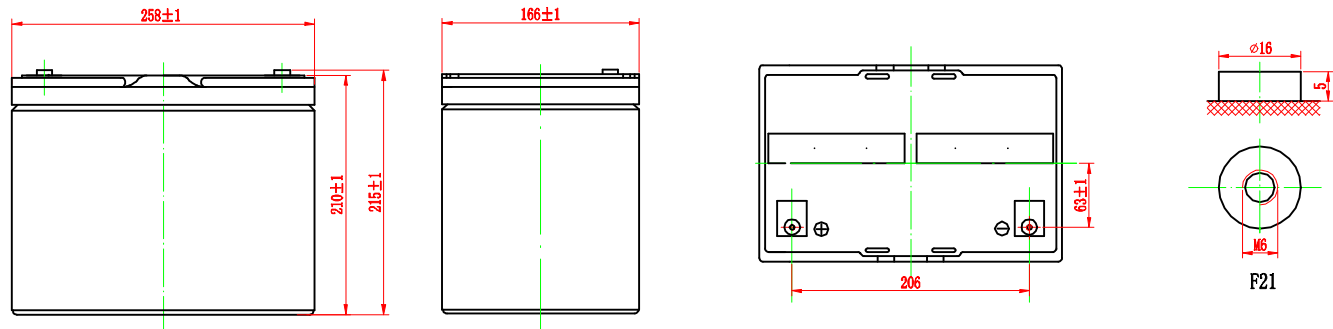
**Discharge Data**

Constant Current Discharge Data (Ampere at 25 °C)									
End Voltage Volts/Cell		10min	15min	20min	30min	40min	45min	50min	60min
1.60		237	183	150	113	90.8	83.6	77.1	65.8
1.67		219	170	141	108	87.8	80.2	73.8	63.4
1.70		210	164	136	105	85.9	78.3	71.9	61.1
1.75		192	154	129	100	83.4	75.3	69.8	59.2
1.80		177	144	122	93.8	77.5	70.1	64.6	55.1

Constant Power Discharge Data (Watts at 25 °C)									
End Voltage Volts/Cell		10min	15min	20min	30min	40min	45min	50min	60min
1.60		422	327	270	203	162	150	139	118
1.67		397	320	259	197	160	147	135	116
1.70		385	301	253	194	158	145	133	113
1.75		358	288	243	187	152	143	128	110
1.80		330	273	233	179	147	135	124	106

(Note)The above characteristics data are average values obtained within three charge/discharge cycles not the minimum values.  
All data shall be changed without notice, Vision reserves the right to explain and update the information contained hereinto.

**Performance drawings**



**UNA12-320 12V 320W**

