



VISION Rechargeable Products Sealed Lead Acid Battery

www.vision-batt.com

UNA Series

High Rate Discharge

The new VISION UNA series batteries are designed for UPS Standby Power Applications requiring high power output. Computer designed grids and optimized plate paste formula produce high energy density and long lasting uninterrupted power for critical systems.

Shenzhen Center Power Tech Co., Ltd has more than 20 year's experience in the manufacturing of VRLA batteries.

SZCPT is one of the largest manufacturers of SLA (or VRLA) batteries in the world, the largest one in Mainland China and the first in China to develop and commercialize the sealed lead-acid battery with brand name VISION and has been at the forefront of battery technology from day one.

SZCPT leads the world in innovative battery technology. Our global network of sales and service engineers, backed in turn by our agents and distributors, means that we are currently active in more than 100 countries.

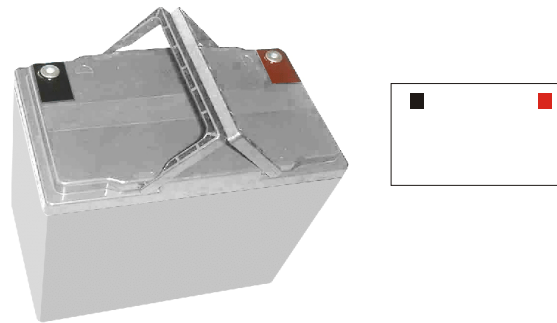
Shenzhen Center Power Tech. Co., Ltd

UNA12-200 12V 200W

(Edition 2014-9)

General Features

- Computer designed low calcium tin alloy plates extend battery life with minimum grid growth and reduced gassing.
- Absorbent Gas Mat (AGM) technology for efficient gas recombination of up to 99% and maintenance free operation.
- Flame retardant (UL 94-V0) case and covers.
- Can be operated in any orientation.
- Not restricted for air transportation, complies with IATA/ICAO Special Provision A67
- Not restricted for ground transportation, classified as non-hazardous material as related to DOT-CFR Title 49 parts 171-189.
- UL recognized component.
- Very high power output with 10 years design life @25C.
- Low self-discharge rate.



Dimensions and Weight

	Metric Units	English Units
Length	229mm	9.02inch
Width	138mm	5.43inch
Height	208mm	8.19inch
Total Height	213mm	8.39inch
Approx. Weight	17.0Kg	37.5lbs

Performance Characteristics

- Nominal Voltage 12V
- Number of cell 6
- Nominal Capacity 77 °F(25°C)
 - 15 min wattage @1.67V 200W/cell
 - 10 hour rate (5.50A, 10.8V) 55.0Ah
 - 20 hour rate (2.90A, 10.5V) 58.0Ah
- Torque setting: 8.5NM
- Internal Resistance
 - Fully Charged battery 77°F(25°C) ≤6.0mOhms
- Self-Discharge
 - 3% of capacity declined per month at 20°C(average)
- Operating Temperature Range
 - Discharge -20~60°C
 - Charge -10~60°C
 - Storage -20~60°C
- Max. Discharge Current 77°F(25°C) 550A(5s)
- Charge Methods: Constant Voltage Charge 77°F(25°C)
 - Cycle use 14.4V-14.7V
 - Maximum charging current 16.5A
 - Temperature compensation -30mV/°C
- Standby use 13.4V-13.8V
 - Temperature compensation -20mV/°C



Center Power Industrial Park, Tongfu Industrial District Dapeng Town, 518120 Shenzhen, China
 Tel: 86 755 84318088 Fax: 86 755 84318038 E-mail: sales@vision-batt.com
 Website: <http://www.vision-batt.com>

UNA12-200 12V 200W

Discharge Data

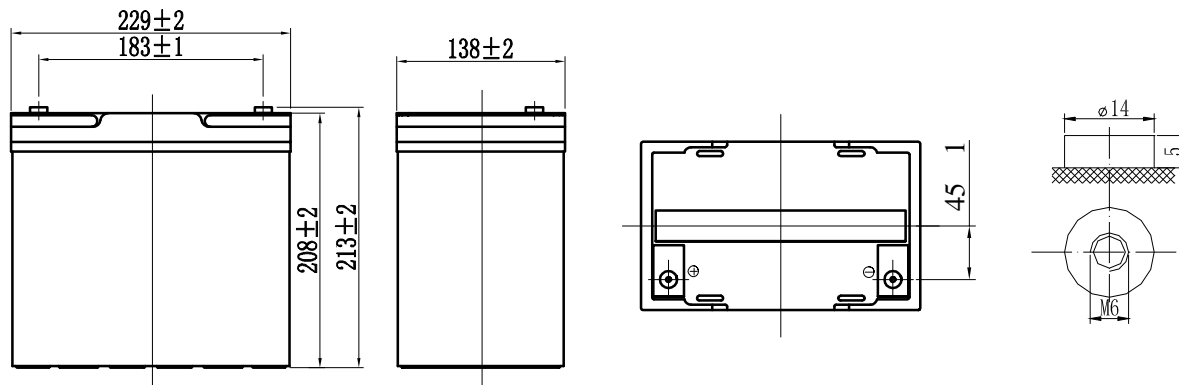
Constant Current Discharge Data (Ampere at 25 °C)

End Voltage Volts/Cell	5min	10min	15min	20min	30min	40min	50min	60min
1.60	236	159	119	96.0	69.8	56.0	47.1	40.6
1.67	212	152	115	94.2	69.1	55.2	46.6	40.0
1.70	203	147	113	92.9	68.3	55.0	46.4	39.9
1.75	186	137	108	89.3	66.2	53.6	45.5	39.1
1.80	160	122	99.0	82.7	62.7	51.7	43.7	37.8

Constant Power Discharge Data (Watts at 25 °C)

End Voltage Volts/Cell	5min	10min	15min	20min	30min	40min	50min	60min
1.60	374	267	204	168	125	101	85.0	72.8
1.67	353	255	200	166	124	100	84.7	72.6
1.70	337	248	196	163	122	99.1	84.6	72.5
1.75	309	233	188	157	118	97.6	82.9	70.9
1.80	281	215	177	147	113	94.2	79.8	69.1

(Note) The above characteristics data are average values obtained within three charge/discharge cycles not the minimum values.
All data shall be changed without notice, Vision reserves the right to explain and update the information contained hereinto.



UNA12-200 12V 200W

