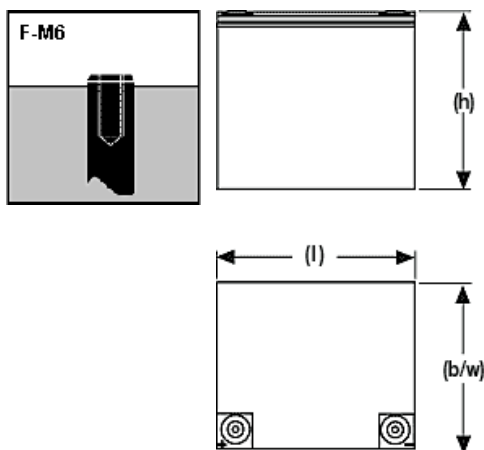


Sprinter – S12V300 data sheet



Terminal: Drawing:



Specifications:

Part numbers not valid for North America, use type for ordering!

Discharge figures are also valid for **UL 94 V0** version. Change "H" to "V" in the part number.

Example

Standard NASR120300 **H** P0FA

UL 94 V0 NASR120300 **V** P0FA

Exide type designation	Nom. Voltage V	Power 15min 1.67 VpC 20°C W/cell	Power 15min 1.67 VpC 25°C W/cell	Length (l) max. mm	Width (b/w) max. mm	Height (h1) max. mm	Height over terminals (h2) max. mm	Weight approx. kg	Internal resistance mOhm	Short circuit current A	Terminal
S12V300	12	291	306	260	174	224	235	28.7	3.1	3925	F-M6

Constant-power discharge in W/cell @ 20 °C

Part number	Vpc	5 min	10 min	15 min	20 min	30 min	45 min	1 h	1,25 h	1,5 h
NASR120300HP0FA	1.85	456	322	253	210	158	118	94.2	79.0	68.5
NASR120300HP0FA	1.80	517	356	273	223	166	121	98.0	81.8	71.4
NASR120300HP0FA	1.75	568	378	285	231	170	123	99.0	83.7	72.3
NASR120300HP0FA	1.70	607	390	289	233	171	124	99.9	83.7	72.3
NASR120300HP0FA	1.67	622	395	291	233	171	124	99.9	83.7	72.3
NASR120300HP0FA	1.65	631	397	292	235	172	125	100	84.7	73.3
NASR120300HP0FA	1.60	647	400	293	235	173	126	100	84.7	73.3
NASR120300HP0FA	1.50	658	403	295	237	174	127	101	85.6	73.3