

## SEALED RECHARGEABLE LEAD-ACID

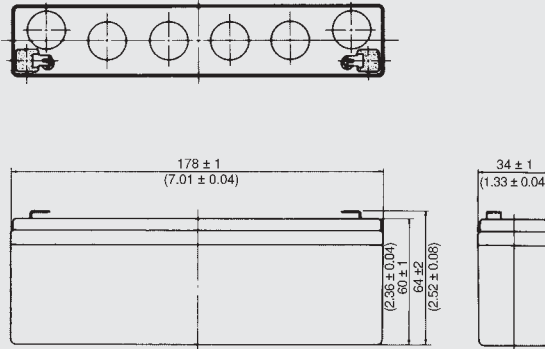
B A T T E R I E S



### YUASA NPH2.3-12 NPH2.3-12FR

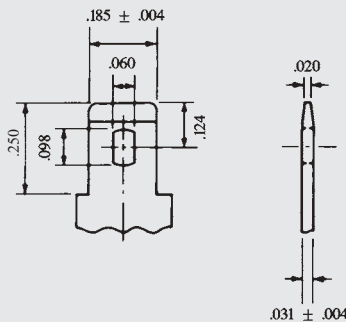
12V, 2.3Ah

### Dimensions



DIMENSIONS: MM (INCHES)

### Terminal



DIMENSIONS: INCHES

INCH = MM

.250	6.35
.185	4.70
.124	3.15
.098	2.49
.060	1.52
.031	0.79
.020	0.51
.004	0.10

### Specifications

**NOMINAL VOLTAGE:** 12V

**NOMINAL CAPACITY:**

10 hr. rate of .23A to 10.5 V 2.3Ah

5 hr. rate of .40A to 10.2 V 2.0Ah

1 hr. rate of 1.7A to 9.60 V 1.7Ah

**WEIGHT (approx.):** 2.05 pounds

**ENERGY DENSITY (10 hr. rate):**

1.25 WH/cubic inch

**SPECIFIC ENERGY (10 hr. rate):**

13.5 WH/pound

**INTERNAL RESISTANCE OF CHARGED BATTERY:**

30 milliohms (approx.)

**MAXIMUM DISCHARGE CURRENT WITH STANDARD TERMINALS:**

40 amperes

**MAXIMUM SHORT-DURATION DISCHARGE CURRENT:**

75 amperes

**OPERATING TEMPERATURE RANGE:**

**CHARGE** 5°F to 122°F

(-15°C to 50°C)

**DISCHARGE** -4°F to 140°F

(-20°C to 60°C)

**CHARGE RETENTION (shelf life) at 68°F (20°C):**

**1 month** 97%

**3 months** 91%

**6 months** 85%

**LIFE EXPECTANCY:**

**STANDBY USE** 3 to 5 years

**CYCLE USE (approx.):**

**100% depth of discharge** 250 cycles

**50% depth of discharge** 550 cycles

**30% depth of discharge** 1200 cycles

**SEALED CONSTRUCTION:**

Can be operated in any position without leakage.

**STANDARD TERMINAL:**

Quick Disconnect .187

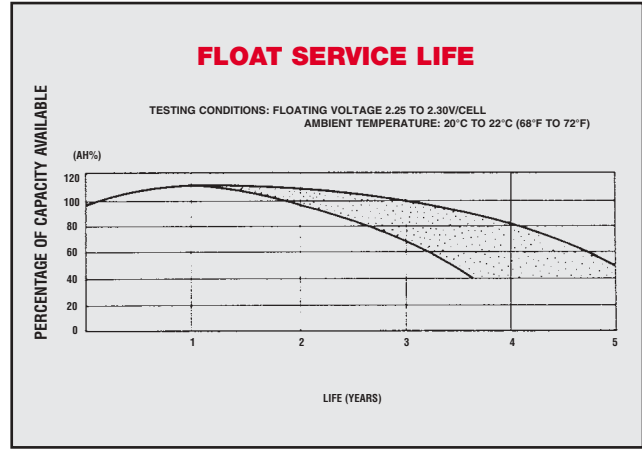
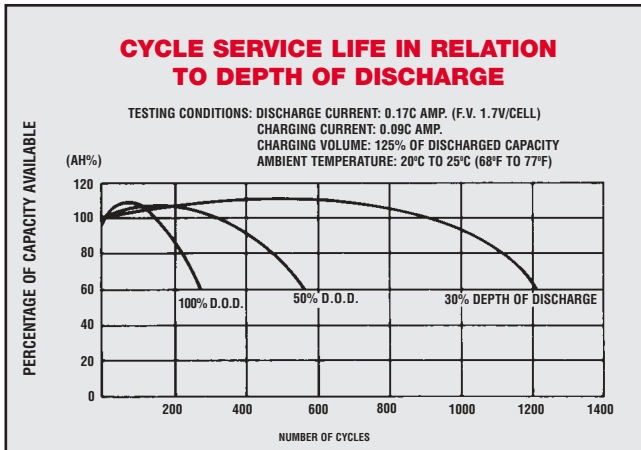
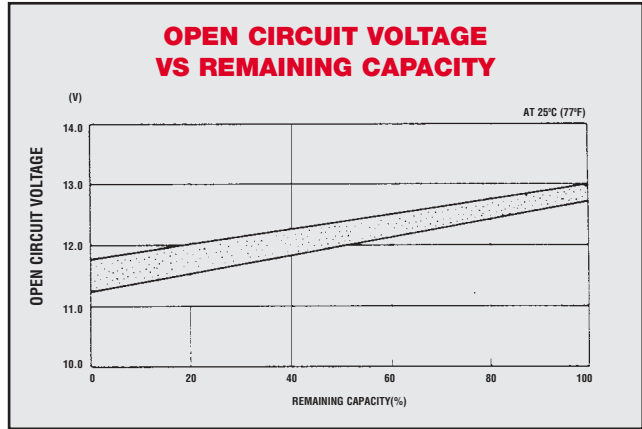
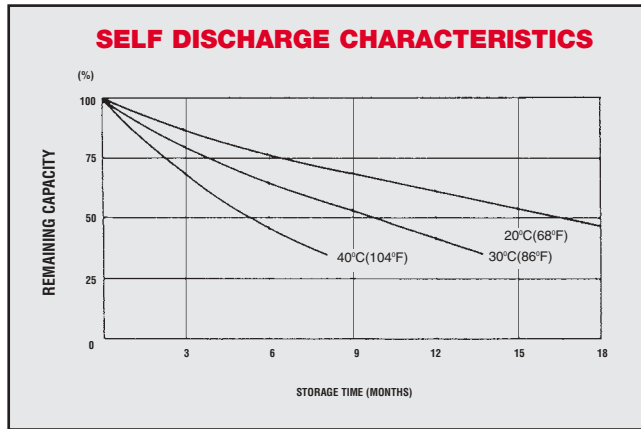
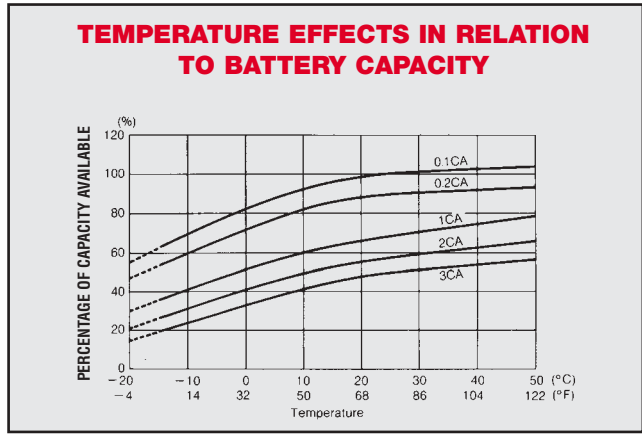
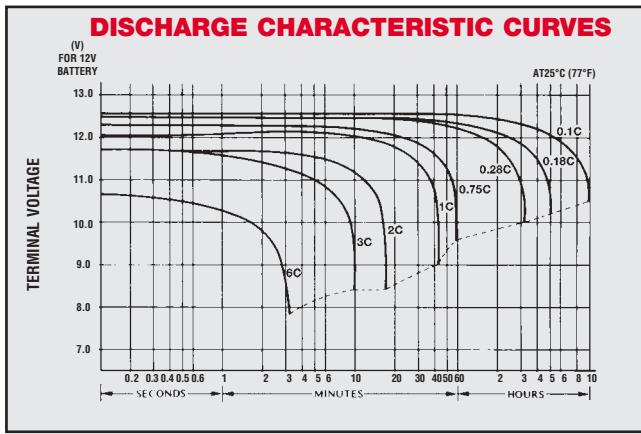
**HOUSING MATERIAL:** ABS Resin

**OPTIONAL:** Container and cover made from

Flame Retardant ABS (UL94-VO, L.O.I.>28%)



RECOGNIZED BY UL, File No. MH 16464



When the battery will be used current in excess of 3C, consult with EnerSys Inc. prior to use.

#### CHARGING METHODS

**Cycle use:** Maximum charging current 0.58A  
Charging voltage 14.4 to 15.0V

**Standby use:** Float charging voltage 13.50 to 13.80V

#### CAUTION

- Avoid short circuit
- Do not charge in a sealed container.

Represented by:



#### Sales Offices

*Eastern Region:* 201-964-0118 • 1-800-962-1287  
FAX 201-964-0720

*Western Region:* 562-949-4266 • 1-800-423-4667  
FAX 562-949-5527

*Corporate Office:* P.O. Box 14145, Reading, PA 19612-4145  
FAX 610-372-8613

Visit us on the web at: [www.enersysstationary.com](http://www.enersysstationary.com)

When ordering new batteries, also remember to properly recycle your old lead batteries. Federal and state regulations require lead-acid batteries be recycled. EnerSys' nationwide service organization can arrange pickup, transportation to and recycling at any one of our company affiliated smelters. Call 1-800-972-7372 for more information.

