

Independence™ Sealed Rechargeable Lead-Acid Battery



NP3-6

6V, 3.0Ah

Specifications

Nominal Voltage 6V
Nominal Capacity
 20 hr. rate of 150 ma to 5.25 V. . . 3.0Ah
 10 hr. rate of 200 ma to 5.25 V. . . 2.8Ah
 5 hr. rate of 520 ma to 5.10 V. . . 2.6Ah
 1 hr. rate of 1800 ma to 4.80 V. . . 1.8Ah
Weight (approx.) 1.43 lbs
 (0.65 kgs)

Energy density (20hr. rate)
 1.08 WH/cubic inch
 (66 WH/litre)

Specific energy (20 hr. rate)
 12.6 WH/pound
 (28 WH/kg)

Internal resistance of charged battery
 30 milliohms (approx.)

Maximum discharge current with standard terminals 40 amperes

Maximum short-duration discharge current 100 amperes

Operating temperature range
Charge 5°F to 122°F
 (-15°C to 50°C)
Discharge -4°F to 140°F
 (-20°C to 60°C)

Charge retention (shelf life) at 68°F (20°C)
 1 month 97%
 3 months 91%
 6 months 85%

Life expectancy
Standby use 3 to 5 years

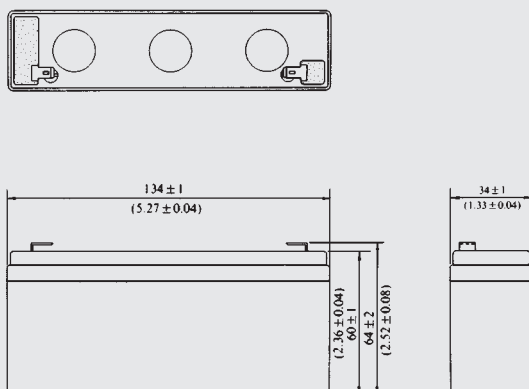
Cycle use (Approx.)
 100% depth of discharge 180 cycles (approx)
 50% depth of discharge 400 cycles (approx)
 30% depth of discharge 1200 cycles (approx)

Sealed construction
 Can be operated, charged or stored in any position without leakage.

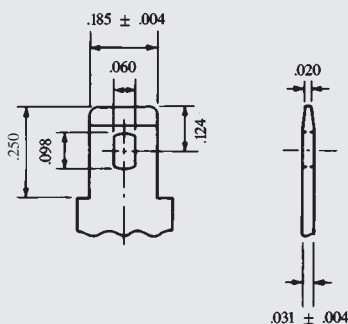
Standard terminal Quick Disconnect .187
Housing material ABS Resin



Dimensions



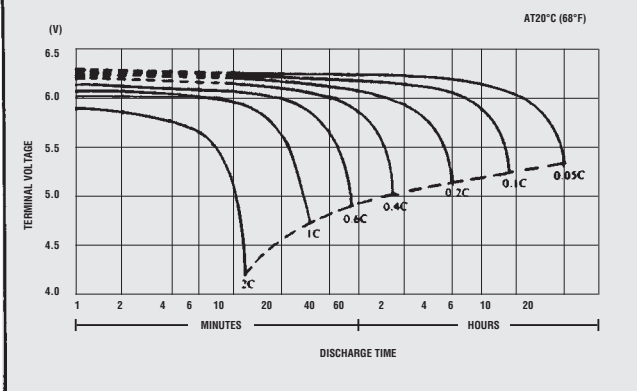
Terminal



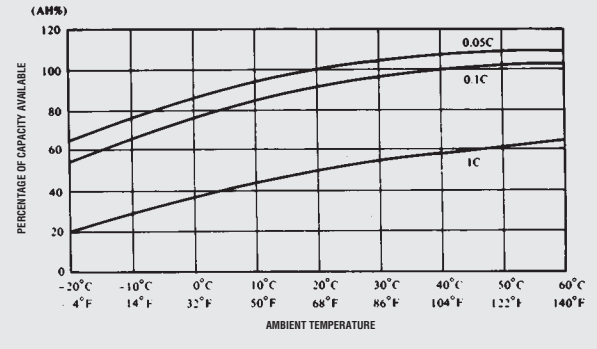
INCH = MM	
.250	6.35
.185	4.70
.124	3.15
.098	2.49
.060	1.52
.031	0.79
.020	0.51
.004	0.10

DIMENSIONS: INCHES

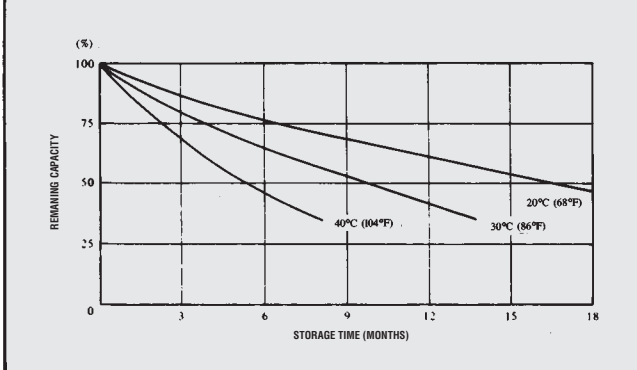
DISCHARGE CHARACTERISTIC CURVES



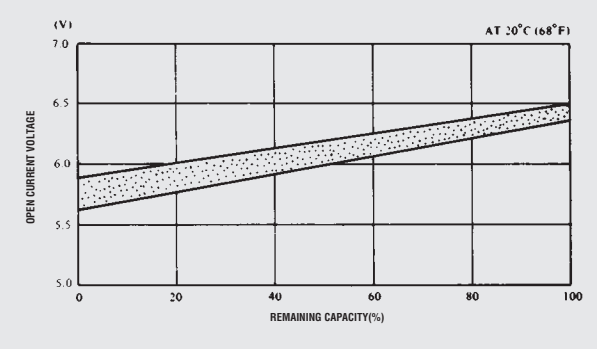
TEMPERATURE EFFECTS IN RELATION TO BATTERY CAPACITY



SELF DISCHARGE CHARACTERISTICS

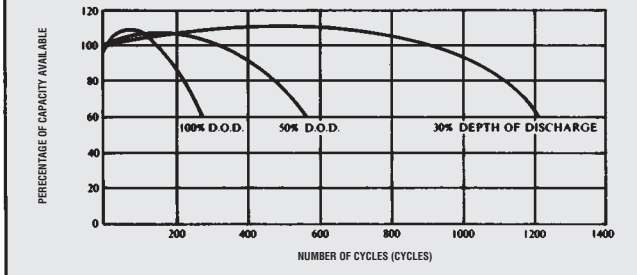


OPEN CIRCUIT VOLTAGE VS REMAINING CAPACITY



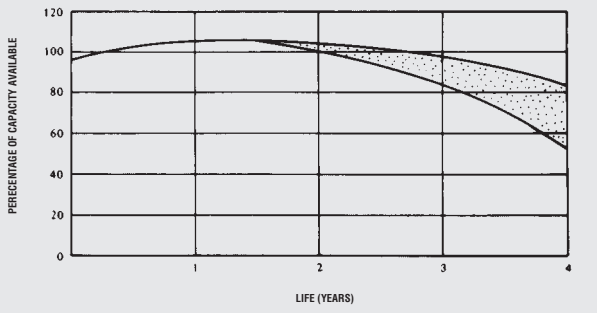
CYCLE SERVICE LIFE IN RELATION TO DEPTH OF DISCHARGE

TESTING CONDITIONS: DISCHARGE CURRENT: .017 AMP. (F.V. 1.7V/CELL)
 CHARGING CURRENT: 0.09C AMP.
 CHARGING VOLUME: 125% OF DISCHARGED CAPACITY
 AMBIENT TEMPERATURE: 20°C TO 25°C (68°F TO 77°F)



FLOAT SERVICE LIFE

TESTING CONDITIONS: FLOATING VOLTAGE 2.25 TO 2.30V/CELL
 AMBIENT TEMPERATURE: 20°C TO 22°C (64°F TO 72°F)



When the battery will be used by the current in excess of 3C, consult with Yuasa, Inc. prior to use.

CHARGING METHODS

Cycle use: Maximum charging current 0.75A
 Charging voltage 7.2 to 7.5V

Standby use: Float charging voltage 6.75 to 6.90V

CAUTION

- Avoid short circuit
- Do not charge in a sealed container.

Distributed by:



Sales Offices

Eastern Region: 201-641-5900 • 1-800-962-1287
 FAX 201-641-8720

Western Region: 562-949-4266 • 1-800-423-4667
 FAX 562-949-5527

Corporate Office: P.O. Box 14145, Reading, PA 19612-4145
 FAX 610-372-8613

Visit us on the web at: www.yuasainc.com



When ordering new batteries, also remember to properly recycle your old lead batteries. Most federal and state regulations require lead-acid batteries be recycled. Yuasa, Inc.'s nationwide service organization can arrange pickup, transportation to and recycling at any one of our company affiliated smelters. Call 1-800-972-7372 for more information.