



UPS High Rate

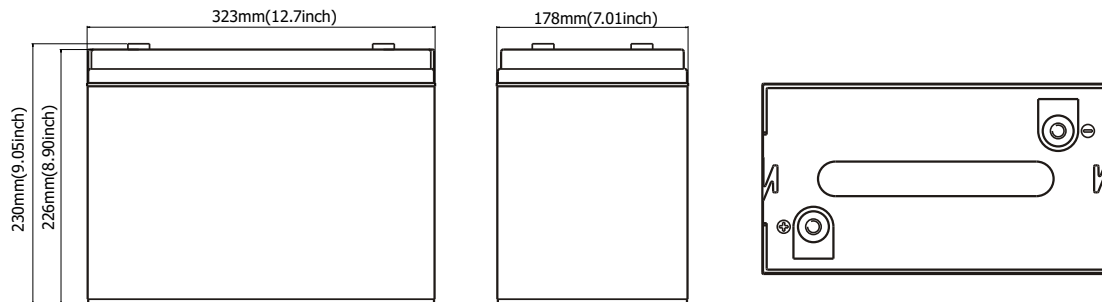
Reserve Power HRS UPS high rate batteries have been engineered specifically for UPS applications where mission critical performance is mandatory. Enhanced impact resistant, flame retardant case and a longer life design than competitive batteries has set a new standard in sealed maintenance-free batteries for critical UPS applications.

Application

- Alarm System
- Cable Television
- Communication Equipment
- Control Equipment
- Security System
- Medical Equipment
- UPS
- Emergency Power System

General Features

- Top Terminal Design
- AGM Sealed Maintenance Free Design
- Non-Spillable Construction
- Patented O-Ring and Epoxy Resin Post Seal
- UL 1778, 1989, 954, and DOT CFR 171-189 approved
- U194V-O ABS Flame Retardant Case
- Thermally Welded Case To Cover Bond
- Exceptional Deep Discharge and Fast Recovery Capability
- Low Pressure One-way Release Valve with Flame Arrestors
- Exceptional Cycle Life Capacity



Battery Model	HRS6-620FR				
Designed Floating Life	10 Years				
Capacity(25°C)	20HR(10.3A,1.75V)	10HR(20A,1.75V)	5HR(32A,1.75V)	1HR(121A,1.75V)	
	206AH	200AH	160AH	121AH	
Dimensions	Length	Width	Height	Total Height	Approx. Weight
	323mm(12.7inch)	178mm(7.01inch)	226mm(8.90inch)	230mm(9.05inch)	30KG (66.12lbs)
Internal Resistance	Full charged at 25°C: 0.003 Ohm				
Self Discharge	3% of capacity per month at (25°C)				
Charge Voltage(25°C)	Cycle use			Float use	
	14.4-15V(-30mV/ °C), max. Current: 13A			13.6-13.8V(-20mV/ °C)	
Terminal	8mm			Torque 8NM/72in/lbs	

Constant current discharge ratings amperes/per battery at 25°C

F.V/Time	15MIN	30MIN	45MIN	1HR	2HR	3HR	5HR	8HR	20HR
1.75V	299.0	197.3	150.0	121.5	71.7	49.5	32.1	20.6	8.8
1.80V	276.0	182.2	138.4	112.1	66.2	45.7	29.7	19.0	8.2
1.85V	241.0	159.1	120.9	97.9	57.8	39.9	25.9	16.6	7.1
1.90V	204.0	134.6	102.3	82.9	48.9	33.7	21.9	14.0	6.0

Constant power discharge ratings watts/per cell at 25°C

F.V/Time	5MIN	10MIN	15MIN	30MIN	40MIN	45MIN	50MIN	60MIN	90MIN
1.60V	970.2	776.2	652.0	410.8	328.6	295.7	266.2	228.9	98.4
1.67V	922.6	738.1	620.0	390.6	312.5	281.2	253.1	217.7	93.6
1.70V	892.9	714.3	600.0	378.0	302.4	272.2	244.9	210.7	90.6
1.75V	857.1	685.7	576.0	362.9	290.3	261.3	235.1	202.2	87.0
1.80V	831.8	665.5	559.0	352.2	281.7	253.6	228.2	196.3	84.4



ISO9001:2000 Certificate



G4M20206-0910-E-16



MH28539



RBRC

