



VRLA Rechargeable Battery

FTC100-12 (FTC100-12FR)

FEATURES

- Absorbent Glass Mat technology for efficient gas recombination
- Long life expectancy 6-8 years in float application
- Front accessible terminal for ease of assembly
- Carry handles for ease of installation
- Strengthened rib design to maintain structural integrity
- Flame-arrestor is installed to ensure safety
- Battery design allows for 48VDC configuration in a standard 19" rack
- One-way self-resealing safety valve for long life guarantee



APPLICATION

- UPS
- Telecom
- Broadband
- Railroad Signal
- Electric Utility
- Central Office

SPECIFICATIONS

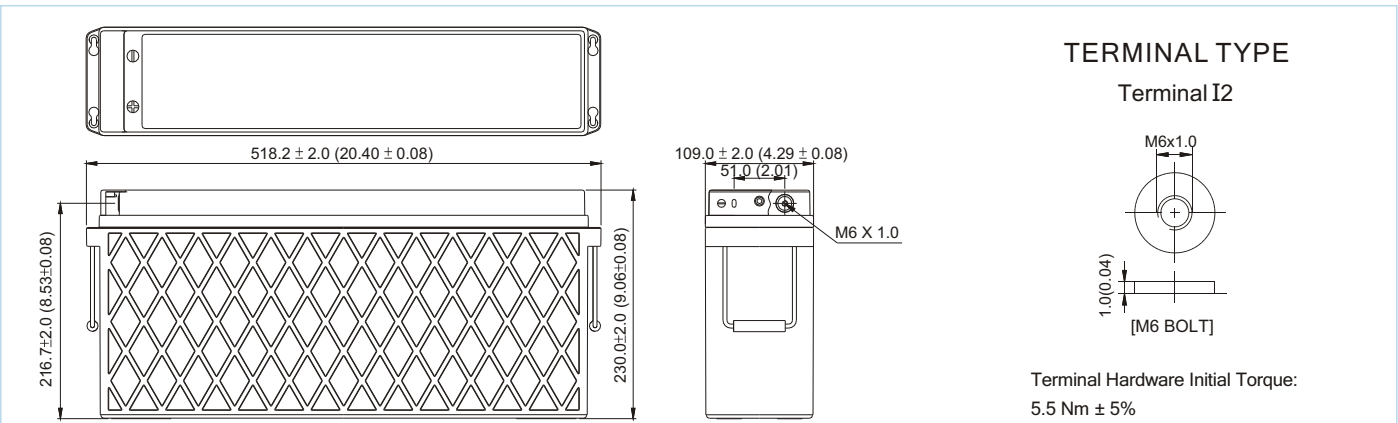
Nominal Voltage	12V	
Nominal Capacity(25°C)	10 Hour Rate (10.20A, 10.5V)	102.0 Ah
	8 Hour Rate (12.50A, 10.5V)	100.0 Ah
	1 Hour Rate (66.0A, 10.5V)	66.0 Ah
Approx. Weight	30.0Kg(66.14lbs.)	
Terminals	I2 (M6 Female Thread)	
Max. Discharge Current	800 A (5 sec.)	
Max. Charge Current	30.0 A	
Operating Temperature Range	Charge	0°C~40°C(32°F~104°F)
	Discharge	-20°C~50°C(-4°F~122°F)
	Storage	-20°C~40°C(-4°F~104°F)
Self Discharge	< 3% per month (25°C)	
Internal Resistance	≤ 5.0mΩ (Fully Charged)	
Float Voltage	2.25 to 2.30 VPC. Recommended 2.275 VPC @ 20°C	
Safety Valve	Opening pressure 10~35 kPa	

CONTAINER MATERIAL

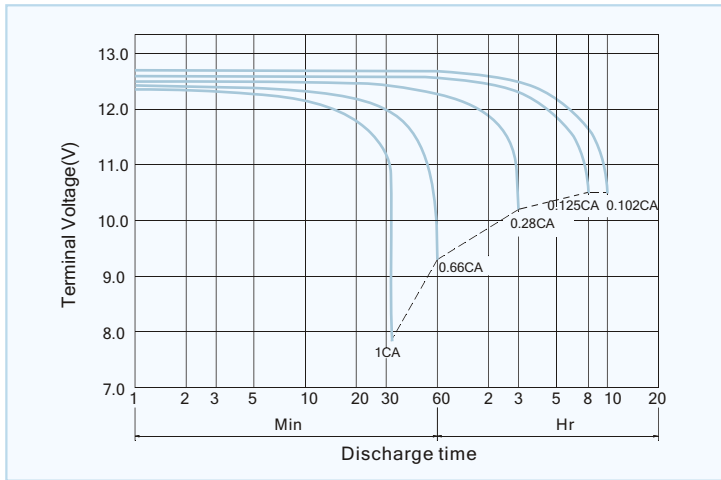
- FTC100-12:
ABS: UL 94-HB (Dark gray color)
- FTC100-12FR:
ABS: UL 94-V0 (Light gray color)

UL ISO9001	UL ISO14001
UL MH19884	CE C4M20310-2474-E-16
UL	CE
• IEC60896-21/22	• BS6290/4
• GB/T 19638.2	• Eurobat guide

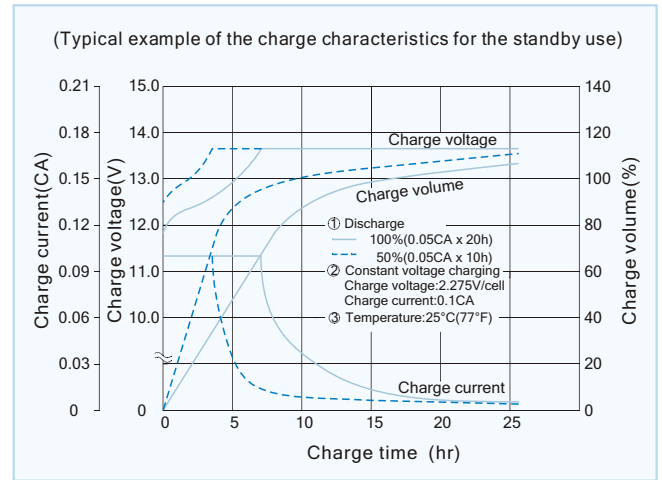
OUTER DIMENSIONS	mm(inch)	Length (L)	Width (W)	Container Height (H)	Total Height (TH)
		518.2±2.0(20.40±0.08)	109±2.0(4.29±0.08)	230±2.0(9.06±0.08)	230±2.0(9.06±0.08)



FTC100-12 (FTC100-12FR) discharge characteristics (25°C /77°F)



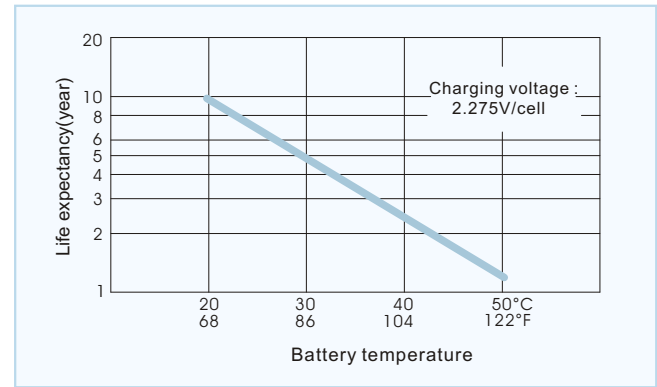
Battery Charging Characteristics



Charging Procedure

Application	Charging method	Charging Voltage at 25°C (V/cell)	Temperature compensation coefficient of charging voltage (mV/°C /cell)	Max. charging current (CA)	Charging time 0.1CA, 25°C (h)		Temp (°C)
					100% discharge	50% discharge	
For standby power Source	Constant voltage & Constant current charging (with current restriction)	2.25~2.30	-3	0.2	24	20	0~40 (32~104°F)
For cycle service		2.40~2.50	-4	0.2	16	10	

Effect Of Temperature On Long Term Float Life



Constant power discharge characteristics at 25 °C/77 °F Unit: W

F.V. (V/cell) \ Discharge Time	30 Min	45 Min	1 Hr	2 Hr	3 Hr	4 Hr	5 Hr	8 Hr	10 Hr	20 Hr
1.90V	1114	814	647.4	394.3	293.3	232.4	194.2	132.00	107.67	57.16
1.85V	1226	889	719.9	434.1	320.5	254.2	211.6	142.82	117.05	62.18
1.80V	1302	939	760.5	451.4	332.4	262.9	218.2	147.55	121.20	64.36
1.75V	1351	971	778.6	459.9	336.7	267.3	222.5	150.00	122.40	65.45
1.70V	1381	990	791.5	464.3	340.0	269.5	223.6	150.00	122.40	65.45
1.65V	1401	1003	802.2	468.5	343.3	271.6	224.7	150.00	122.40	65.45

Constant current discharge characteristics at 25 °C/77 °F Unit: A

F.V. (V/cell) \ Discharge Time	30 Min	45 Min	1 Hr	2 Hr	3 Hr	4 Hr	5 Hr	8 Hr	10 Hr	20 Hr
1.90V	92.9	67.8	55.09	33.27	24.55	19.36	16.18	11.00	8.97	4.76
1.85V	103.2	74.6	61.27	36.64	26.82	21.18	17.64	11.90	9.75	5.18
1.80V	110.4	79.2	64.73	38.09	27.82	21.91	18.18	12.30	10.10	5.36
1.75V	114.5	81.9	66.27	38.82	28.18	22.27	18.55	12.50	10.20	5.45
1.70V	117.1	83.5	67.36	39.18	28.45	22.45	18.64	12.50	10.20	5.45
1.65V	118.8	84.6	68.27	39.55	28.73	22.64	18.73	12.50	10.20	5.45

All data shall be changed without prior notice, BB reserves the right to explain and update the information contained hereinto.

Trial A/1 REV. Dec. 2011

USA:
 B&B BATTERY(USA) INC.
 6415 RANDOLPH ST.COMMERCE, CA,90040 U.S.A.
 TEL:1-323-278-1900.1-800-278-8599
 FAX:1-323-278-1268
 E-Mail:sales@bb-battery.com

CHINA FACTORY:
 B.B. BATTERY CO., LTD.
 CHENG DONG TRIAL AREA,HUANG GANG,
 RAOPING, GUANG DONG,CHINA,515700
 TEL:86-768-7601001-2
 FAX:86-768-7601469
 E-Mail:maggy@bb-battery.com

EUROPE:
 B&B BATTERY(EUROPE) B.V.
 SUITE 8, HAAKSBERGWEG 33, 1101
 BP AMSTERDAM, THE NETHERLANDS
 TEL: 31-30-3200190
 MOBILE: 886-933896989
 E-Mail: gary@bb-battery.com

HONG KONG:
 B&B BATTERY(Hong Kong) Co.
 TEL:852-2311-4918
 FAX:852-2739-1182
 E-Mail:bbhk@hkstar.com

JAPAN:
 B&B BATTERY(JAPAN) CO., LTD.
 1375-11 NARAHARA-MACHI,HACHIOJI,
 TOKYO 193-0803,JAPAN.
 TEL:81-426-25-6375
 FAX:81-426-25-6375
 E-Mail:miyata@bb-battery.com

TAIWAN:
 B.B. BATTERY(TAIWAN) CO., LTD.
 TEL:886-6-502-5150
 FAX:886-6-589-8087
 E-Mail:kevin@bb-battery.com