



Liebert® UPStation GXT 10 kVA

Power Availability

## PROVEN RELIABILITY FOR CRITICAL NETWORK POWER PROTECTION



*Space-Saving,  
High Capacity Performance  
In A Full-Featured,  
On-Line UPS*



# TRUE ON-LINE POWER FOR YOUR CRITICAL SYSTEMS

Reliance on sensitive electronic equipment is at an all time high — so is the cost of downtime. When your critical systems demand reliable power protection, the Liebert UPStation GXT 10 kVA delivers the power backup and conditioning you need.

The Liebert GXT 10 kVA unit offers true on-line power protection able to safeguard large groups of critical equipment and the ability to keep pace with your growing power protection needs. The Liebert GXT features easy to operate controls, slide-in communications options, and simple installation and battery upgrades.

But simplicity is only the start... on-line design means superior power quality even under the worst conditions: sags, surges, even frequency deviations.

## UPStation GXT

With the Liebert GXT, your equipment is protected by a proven reliable UPS solution that meets the challenges presented by the protected equipment, the power supply and the sophisticated user.

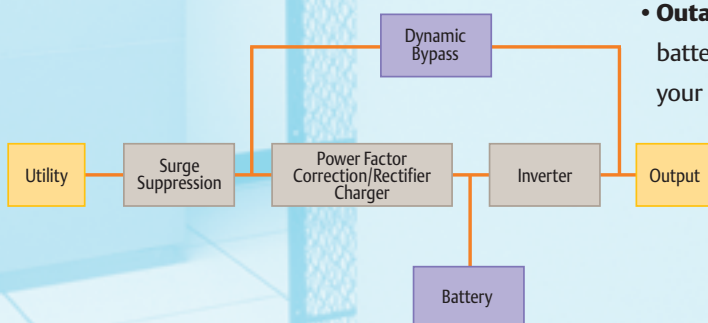
- **On-Line Protection for Critical Equipment.** The Liebert GXT is designed to address the power problems that commonly threaten networks and other critical equipment. Surges, sags, outages, generator operation and other power anomalies are handled easily by Liebert GXT.

## Power Handling

A true on-line UPS, the Liebert UPStation GXT is inherently superior for protecting against the damaging effects of imperfect power:

- **Power spikes and transients.** Surge protection capability meets ANSI/IEEE C62.41, EN 61000-4-2, EN 61000-4-3, EN 61000-4-4, and EN 61000-4-5.
- **EMI/RFI noise reduction.** Full-time EMI/RFI filtering improves computer performance and helps eliminate minor data corruption and noise-induced glitches that generate most problems.
- **Voltage sags and brownout conditions.** The Liebert GXT has one of the widest input voltage ranges available, so minor low voltage conditions are corrected without resorting to battery operation. The input voltage range is variable, based upon output load levels. At light load levels, the Liebert GXT can operate from an input voltage that is as much as 50% below normal before transfer to back-up, reducing the number of battery discharges and extending service life.
- **Harmonics.** A special category of noise that causes waveform distortion, harmonics can be triggered by problems hundreds of miles away or as near as the next piece of equipment on the network. Because they are difficult to find and correct, harmonics are best reduced at the UPS. Not all UPS systems can do that — the Liebert GXT can.
- **Power factor corrected loads.** Computer equipment can cause voltage oscillations and adversely affect devices throughout the network. The Liebert GXT maintains stable voltage output even with the power-factor corrected loads typical of modern computer equipment.
- **Outages.** With the zero transfer time offered by on-line technology, flexible battery configurations and the ability to handle generator-produced power, your network won't even blink during an extended outage.

## On-Line UPS



# Battery Operation

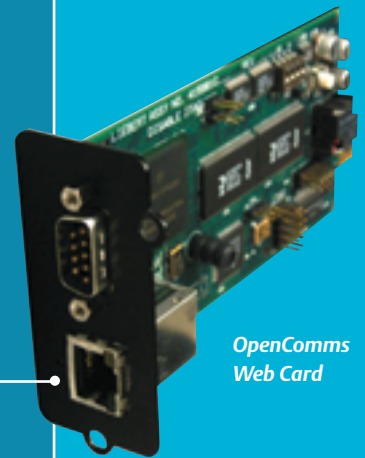


The Liebert UPStation GXT features flexible battery operation that can be configured according to your site needs and type of application. The standard Liebert GXT provides twelve minutes of back-up power at full load. That's longer than 98% of all power outages and enough time to shut down critical operations in an orderly fashion.

- **Zero Transfer Time.** When utility power fails, your critical load remains supported by a seamless flow of power from the Liebert GXT. True on-line design means zero transfer time from external to internal power.
- **Maintenance-Free Batteries.** The Liebert GXT uses sealed, valve-regulated, lead-acid batteries, to provide long, trouble-free service life.
- **Add-On Battery Cabinets.** Additional battery cabinets can be added to provide additional runtime as your needs change.

## Communications Hardware and Software Options

For enhanced UPS communications and control, the Liebert Intellislot® OpenComms Web Card will deliver SNMP and web-management communications capability to your Liebert GXT unit. This feature will provide flexibility in how you monitor and control your UPS over the network. The card is also easily configurable to work in a standard SNMP implementation and with Liebert's MultiLink unattended shutdown software.



OpenComms Web Card

### Integrated Monitoring and Control



The front panel of the UPS provides system status, load levels, battery capacity remaining and any alarm conditions. It also shows an indication and diagnosis of UPS fault conditions.

The Liebert GXT provides the communications capability and flexibility that is vital to the continuous operation of today's more complex distributed computing systems.



Liebert MultiLink™ Shutdown Software. Your Liebert GXT UPS system can be used with Liebert MultiLink shutdown software. This package automatically shuts down computer operating systems in a smooth and orderly manner if UPS battery capacity runs low.

# TOTAL CONFIDENCE IN THE DECISION YOU'VE MADE.



## Liebert® UPStation GXT 10 kVA

## Power Availability

### Specifications

	GXT10000T	GXT10000T	GXT10000T	GXT10000T
Model No.	230	230X	208X	240X
VA (max.)	10000	10000	10000	10000
Watts (max.)	7000	7000	6300	7000
Input Voltage	230 VAC		208 VAC	240 VAC
Input Voltage Range	nominal; variable based on output load		nominal; variable based on output load	nominal; variable based on output load
100%-90% Loading	186 VAC to 280 VAC; ±5 VAC			
89%-70% Loading	159 VAC to 280 VAC; ±5 VAC			
69%-30% Loading	139 VAC to 280 VAC; ±5 VAC			
29%-0% Loading	119 VAC to 280 VAC; ±5 VAC			
Input Connection	Terminal Block (hardwired)			
Output Voltage Range	230 VAC +/- 3%	230 VAC +/- 7%	208/120 VAC +/- 7%	240/120 VAC +/- 7%
Output Waveform	Sinewave			
Output Connection	Terminal Block (hardwired)			
Battery Time (FL/HL)	12 min. 29 min.	12 min. 29 min.	12 min. 29 min.	12 min. 29 min.
Agency Approvals	TUV / CE		UL / cUL	
Dimensions: mm (in) W x D x H	340x640x965 (13.4x25.25x38.0)			
Weight: kg (lbs.)	187 (412)	244 (538)	244 (538)	244 (538)

Note: Models with an "X" suffix contain isolation transformers.  
Specifications subject to change without notice.

### LIEBERT CORPORATION

1050 DEARBORN DRIVE  
P.O. BOX 29186  
COLUMBUS, OHIO 43229  
800.877.9222 PHONE (U.S. &  
CANADA ONLY)  
614.888.0246 PHONE (OUTSIDE U.S.)  
614.841.6022 FAX

VIA LEONARDO DA VINCI 8  
ZONA INDUSTRIALE TOGNANA  
35028 PIOVE DI SACCO (PD)  
ITALY  
39 049 9719 111 PHONE  
39 049 5841 257 FAX

23/F ALLIED KAJIMA BLDG.  
138 GLOUCESTER ROAD  
WANCHAI  
HONG KONG  
852 2 572 2201 PHONE  
852 2 831 0114 FAX

### LIEBERT WEB SITE

<http://www.liebert.com>

### 24 x 7 TECH SUPPORT

800 222 5877 PHONE  
614 841 6755 (OUTSIDE U.S.)

- **Warranty Support You Can Count On.** Liebert's standard two-year warranty ensures repair or replacement of your UPS if it experiences problems during the warranty period.
- **Ongoing Technical Support.** We provide you with technical support for as long as you own a Liebert UPS. A call to 1-800-222-5877 puts you in touch with an experienced UPS specialist. (614-841-6755 outside the U.S.)

*Truly protecting complex computing and communications systems just can't be done with a simple "out-of-the-box" solution. Liebert helps you make the smart decision – one that will consistently meet your requirements for availability and reliability.*



That Is  
**The Liebert Experience**

While every precaution has been taken to ensure accuracy and completeness in this literature, Liebert Corporation assumes no responsibility, and disclaims all liability for damages resulting from use of this information or for any errors or omissions.

© 2004 Liebert Corporation. All rights reserved throughout the world. Specifications subject to change without notice.

All names referred to are trademarks or registered trademarks of their respective owners.

® Liebert and the Liebert logo are registered trademarks of the Liebert Corporation.

® Keeping Business in Business is a registered trademark of the Liebert Corporation.

The Emerson logo is a trademark and service mark of Emerson Electric Co.

SL-23440 (R1/04)  
Printed in USA

