

## System solutions by Power Battery Co. Inc. The leader in pre-assembled battery cabinets.



The CR series cabinets from Power Battery are designed to provide reliable, prewired battery systems for critical standby applications

### Features & Benefits

- U.L. listed.
- Factory prewired and ready for installation.
- Fully vented and meets NEMA 1 standard.
- Removable top and sides for ease of installation and maintenance.
- Fused for overcurrent protection.
- Ground stud provided.
- Knock-outs on sides and in bottom.
- UBC Seismic zone 4 certified.
- Neoprene insulation between batteries and rails.
- Adjustable rails to accommodate multiple rows of batteries.
- Shipped bolted to a heavy duty pallet.
- Batteries strapped to rails.
- Fork lift access from four directions.
- Chip and corrosion resistant powder coating.
- IBM off white color.

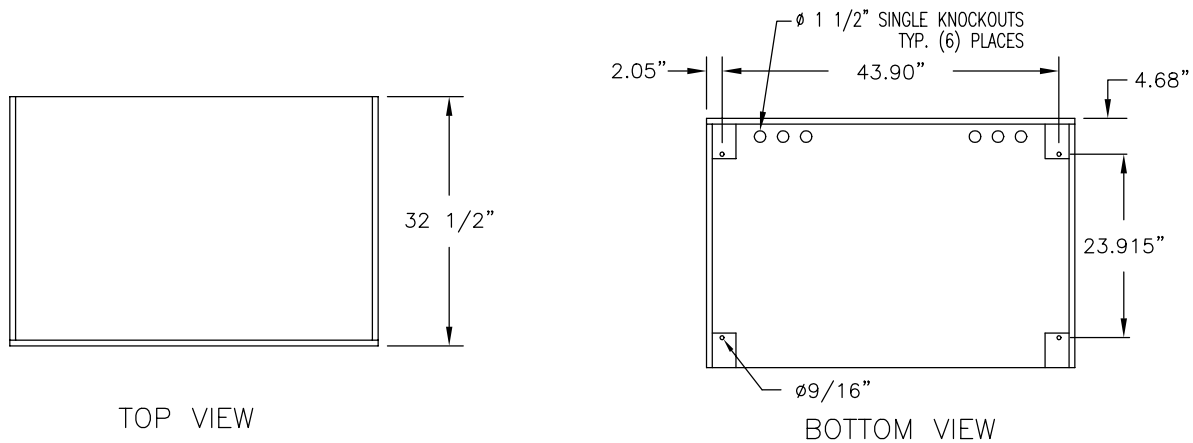
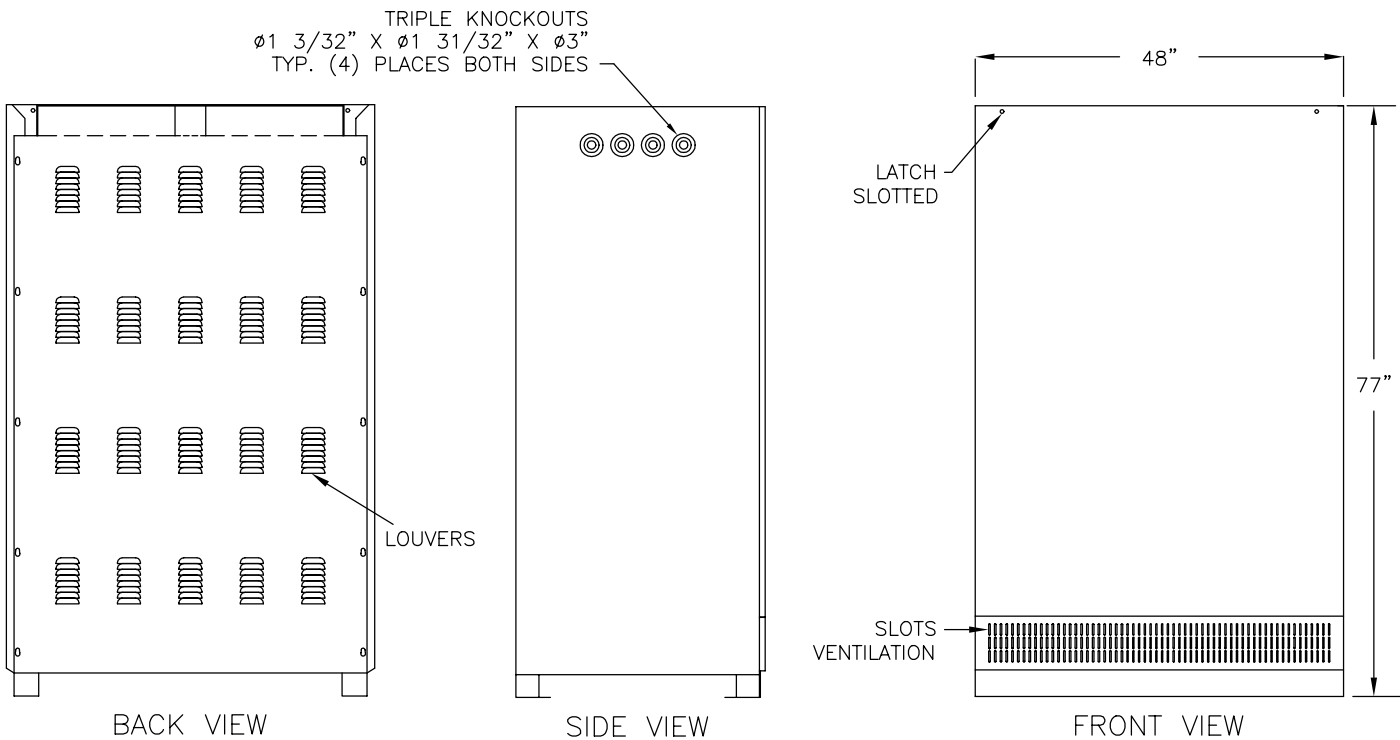
### Available options

- Casters for ease of installation.
- Chargers for extended run time systems.
- Circuit breakers and accessories sized to meet your load requirements.
- Custom colors and cabinets designed to match existing equipment.
- Floor loading plates for weight distribution.
- Blocking diodes for feed back protection and isolation.
- Seismic anchor bolt kits.

DIMENSIONS and WEIGHT	
Height	77" / 1956 mm
Width	48" / 1219 mm
Depth	32.5" / 826 mm
Weight	615 lbs / 279 kgs

### MAXIMUM NUMBER OF PRC and TC BATTERIES PER CR5 CABINET

Model	1225	1235L	1250S	1265S	1290S	12100S	12120S	12150C	6200S	6225S	2550C	2600C
Quantity	96	96	96	48	48	48	48	48	48	48	48	48
lbs	2679	3178	4004	3049	3524	4066	4393	5420	4321	4561	4546	4791
kgs	1218	1445	1820	1386	1602	1848	1997	2464	1964	2073	2066	2178



**U.S.A.**  
**Power Battery Company, Inc.**  
 25 McLean Blvd.  
 Paterson, N.J. 07514-1507  
 Phone: (973) 523-8630  
 Fax: (973) 523-3023  
 E-mail: sales@powbat.com  
 Website: www.powerbattery.com

**CANADA**  
**Power Battery (Iberville) Ltd.**  
 770 Thomas Ave.  
 Iberville, Quebec, J2X 5E7  
 Phone: (450) 346-3273  
 Fax: (450) 346-8003  
 E-mail: powerbat@sympatico.ca  
 Website: www.powerbattery.com

**UK**  
**Power Batteries Ltd.**  
 Premier Way, Abbey Park Industrial Estate  
 Romsey, Hampshire, SO51 9AQ  
 Phone: +44 (0)1794 835900  
 Fax: +44 (0)1794 835910  
 E-mail: sales@powbat.co.uk  
 Website: www.powbat.co.uk

**ITALY**  
**Power Battery Srl**  
 Via Locatelli 105  
 20046 Biassono MI - ITALY  
 Phone: +(39) 039 2324571  
 Fax: +(39) 039 2499200  
 E-mail: calberti@powbat.it  
 Website: www.powbat.it

**CHINA**  
**Power Battery (Pacific Rim) Ltd.**  
 Unit 1, 23/floor, Wealthy Plaza  
 138 Sau Kei Wan Road  
 Sai Wan Ho, Hong Kong  
 Phone: ++(852) 2-560-2222  
 Fax: ++(852) 2-967-8157  
 E-mail: bplhk@netvigator.com  
 Website: www.powerbattery.com