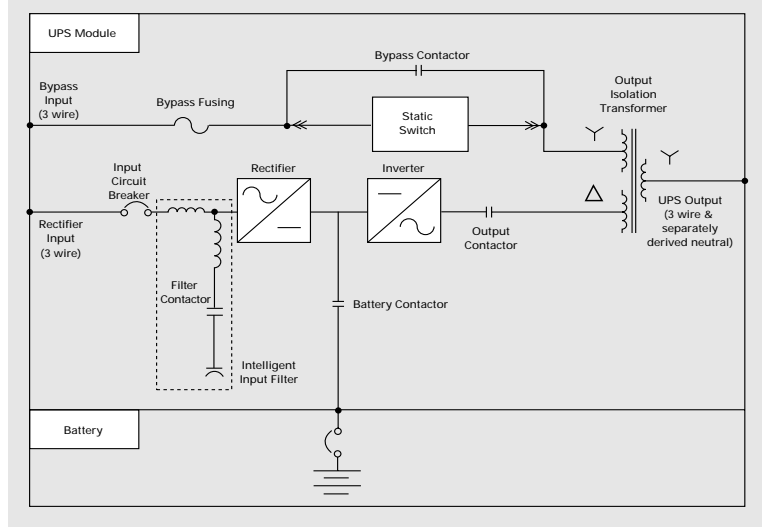


# Powerware® Plus 50 Online Uninterruptible Power System

MODEL 30	30kVA / 24kW
MODEL 40	40kVA / 32kW
MODEL 50	50kVA / 40kW



## ONE LINE DIAGRAM



Note: Dual feed input not available for 208V or 220V input.

- Continuous online protection
- Superior system reliability
- World class quality
- Flexible network communications

**Environmental Specifications**

Ambient temperature: 0°C to +40°C  
 Storage: -20°C to +70°C  
 Relative humidity: 5-95% non-condensing  
 Altitude: 1500 meters (5000ft.) at 40°C ambient temperature without load derating  
 Audible noise: Less than 65 dBA at 1 meter; in accordance with ISO 7779  
 Electrostatic discharge: Withstands 25kV without damage or disturbance to the load; exceeds requirements of IEC 801-2  
 EMC: Meets FCC Class A, Subpart J of Part 15 and EN 50091-2 (CISPR 22, Class A)

**Input Specifications**

Voltage range: (See chart on other side)  
 Frequency range: (60 Hz) 57-63 Hz; (50 Hz) 47-53 Hz  
 Surge protection: Meets ANSI C62.41, Category A & B, EN 50091-2 and EN 50082-2  
 Power factor: 0.95 typical at full load with input filter  
 Input current distortion less than 10% with input filter

**Output Specifications**

Voltage THD: Less than 5% (100% non-linear load with 3:1 crest factor); less than 3% (100% linear load)  
 Voltage regulation: Better than ±1%  
 Transient response: Less than 5% for 100% load step; full recovery within 1 cycle  
 Frequency: (free run) ±0.005 Hz  
 Frequency sync range: ±0.5 Hz  
 Frequency slew rate: 1 Hz/second maximum  
 Voltage adjustment range (operator): ±5%

**Battery Specifications**

Matching cabinets – Line-up or remote  
 Battery type: Sealed, valve-regulated lead acid  
 Recharge time: 10-12 times the discharge time to 95%  
 Other battery options: Wet cell and nickel-cadmium batteries; open racks available  
*For battery run times and configurations, refer to Bulletin BAT01FXA.*

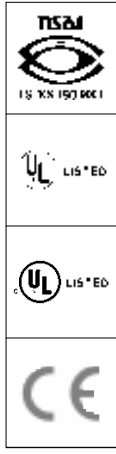
**Safety**

UL1778 Listed  
 CUL CAN/CSA C22.2 NO.107.1-M91 Listed  
 EN 50091-1  
 All cabinets provide seismic mounting features  
 Selectable DC ground fault detection capability

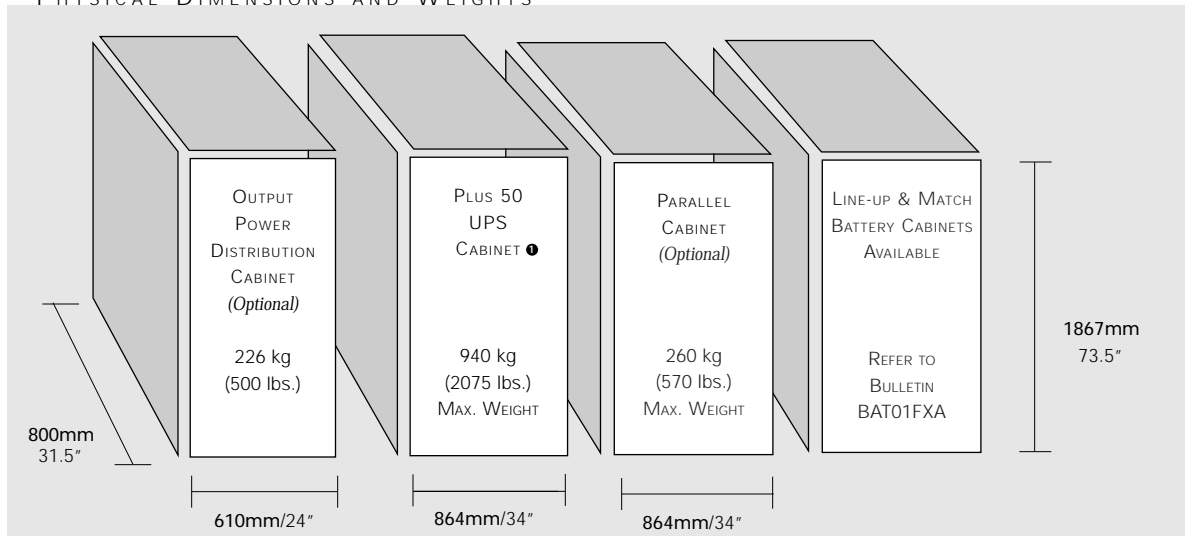
Specifications subject to change without notice.

**Powerware Plus 50 Performance Characteristics**

		Model 30					Model 40					Model 50				
		30kVA/24kW					40kVA/32kW					50kVA/40kW				
Input Voltage	Volts	480	480	208	220	600	480	480	208	220	600	480	480	208	220	600
Output Voltage	Volts	208	480	208	208	208	208	480	208	208	208	208	480	208	208	208
Input Voltage Range																
Minimum	Volts	408	408	177	187	510	408	408	177	187	510	408	408	177	187	510
Maximum	Volts	528	528	229	242	660	528	528	229	242	660	528	528	229	242	660
Input / Output Frequency	Hz	60	60	60	60	60	60	60	60	60	60	60	60	60	60	60
AC Input (With input filter)																
Nominal Amps	Amps	34	34	77	73	27	45	45	102	97	35	55	55	128	118	44
Maximum Amps	Amps	42	42	96	91	33	56	56	128	120	44	69	69	160	147	55
AC Input (Without input filter)																
Nominal Amps	Amps	39	39	90	86	32	52	52	121	114	42	66	66	150	140	52
Maximum Amps	Amps	49	49	113	107	39	65	65	151	143	52	82	82	188	175	65
Bypass Input																
Nominal Amps	Amps	36	36	83	79	29	48	48	111	105	38	60	60	139	131	48
AC Output																
Nominal Amps	Amps	83	36	83	83	83	111	48	111	111	111	139	60	139	139	139
10 Minutes Max.	Amps	104	45	104	104	104	139	60	139	139	139	174	75	174	174	174
DC Link																
Nominal DC Voltage	Volts	480	480	480	480	480	480	480	480	480	480	480	480	480	480	480
Float Voltage	Volts	540	540	540	540	540	540	540	540	540	540	540	540	540	540	540
End of Discharge	Volts	401	401	401	401	401	401	401	401	401	401	401	401	401	401	401
Maximum Amps	Amps	60	60	60	60	60	80	80	80	80	80	100	100	100	100	100
Physical Attributes (w/o batt.)																
Installed Weight	Lbs	1750	1750	2075	2075	2075	1750	1750	2075	2075	2075	1750	1750	2075	2075	2075
Installed Width	Inches	34	34	34	34	34	34	34	34	34	34	34	34	34	34	34
System Efficiencies																
@ 100% Load	%	91	91	88	88	88	91	91	89	89	89	91	91	89	89	89
@ 75% Load	%	89	89	87	87	87	91	91	88	88	88	91	91	89	89	89
@ 50% Load	%	86	86	83	83	83	89	89	87	87	87	90	90	88	88	88
Full Load Heat Dissipation																
BTU/Hr. (x1000)		8.1	8.1	11.2	11.2	11.2	10.8	10.8	13.5	13.5	13.5	13.5	13.5	16.9	16.9	16.9
KCal/Hr. (x1000)		2.04	2.04	2.82	2.82	2.82	2.72	2.72	3.40	3.4	3.4	3.40	3.40	4.25	4.25	4.25
Inverter Efficiency (Full Load)	%	93	93	93	93	93	93	93	93	93	93	93	93	93	93	93



**PHYSICAL DIMENSIONS AND WEIGHTS**



Shipping pallet and packaging adds either 50 or 300 lbs. per shipping unit.

Casters are standard for ease of installation.

● All accessories feature plug and play capability.

Specifications subject to change without notice.

All previously mentioned corporate names and brands are registered as trademarks by their respective companies.

1-800-554-3448 (Toll-free in US & Canada) World Headquarters, 8609 Six Forks Road, Raleigh, NC 27615 USA

Telephone (US): 1-919-872-3020; Fax (US): 1-800-75-EXIDE; International Telephone: 1-919-870-3238; International Fax: 1-919-870-3300