

Mitsubishi 9900A UPS Specification

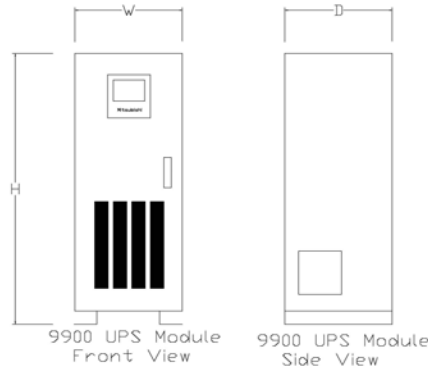
At Mitsubishi Electric Power Products, Inc. we understand that in today's high-speed digital world, a single second of downtime can cost your company millions of dollars. That is why we have developed the 9900A UPS - our most innovative UPS.

Mitsubishi applies the most sophisticated technologies available so that the 9900 will produce the most advanced protection for your equipment. What are the benefits you can expect?

- More Reliability
- Optimum Efficiency
- Green Power
- Smaller footprint and lightweight

The 9900A UPS systems use a 4th generation IGBT in both the rectifier and inverter with new DSP controlled Pulse Width Modulation Technology. This unique combination simply means our 9900A UPS offers unparalleled reliability with the most efficient system in the industry.

KVA	Voltage	Voltage	Output PF	Dimensions (WXDXH)	(lbs)	Parallel Capabilities	DC
80	480 VAC	480 VAC	0.9	27.6" x 32.5" x 80.6"	882	Up to 4 modules	480 VDC
100	480 VAC	480 VAC	0.9	27.6" x 32.5" x 80.6"	882	Up to 4 modules	480 VDC
150	480 VAC	480 VAC	0.9	35.4" x 32.5" x 80.6"	1,146	Up to 4 modules	480 VDC
225	480 VAC	480 VAC	0.9	35.4" x 32.5" x 80.6"	1,235	Up to 4 modules	480 VDC



Standard Features

- Fully Digital, IGBT converter and Inverter
- UL 1778 Listed
- Parallel up to four (4) modules
- Front Access UPS
- Small footprint and Weight

AC Input

- 480 VAC Three Wire, 60 Hz
- +15%, -20% Voltage Range
- 1:1 Generator Ratio
- <3% THD without input filter
- Surge Withstand: Meets IEEE 587, ANSI C62.41-1991
- Power Factor: .99

AC Output

- 480 Vac Three Wire, 60 Hz
- Power Factor: 0.9 to 1.0 within the KW rating
- Frequency: 60 Hz +/- 0.01%
- Voltage Accuracy: +/- 1%
- Transient Recovery Time: 20 milli-seconds
- Load Unbalanced: +/- 2%
- Step Load (100%): +/- 2%
- Voltage THD: 2% maximum at 100% Linear Load
- Overload: 125% for 2 minutes, 150% for 1 minute

Mitsubishi Electric Power Products, Inc.

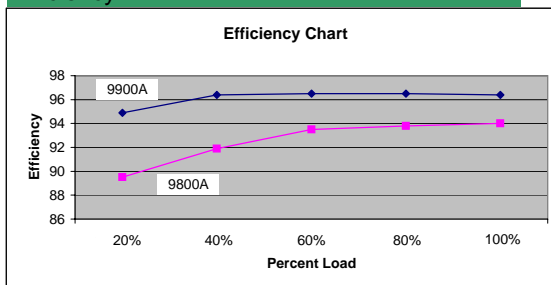
UPS Division

530 Keystone Drive

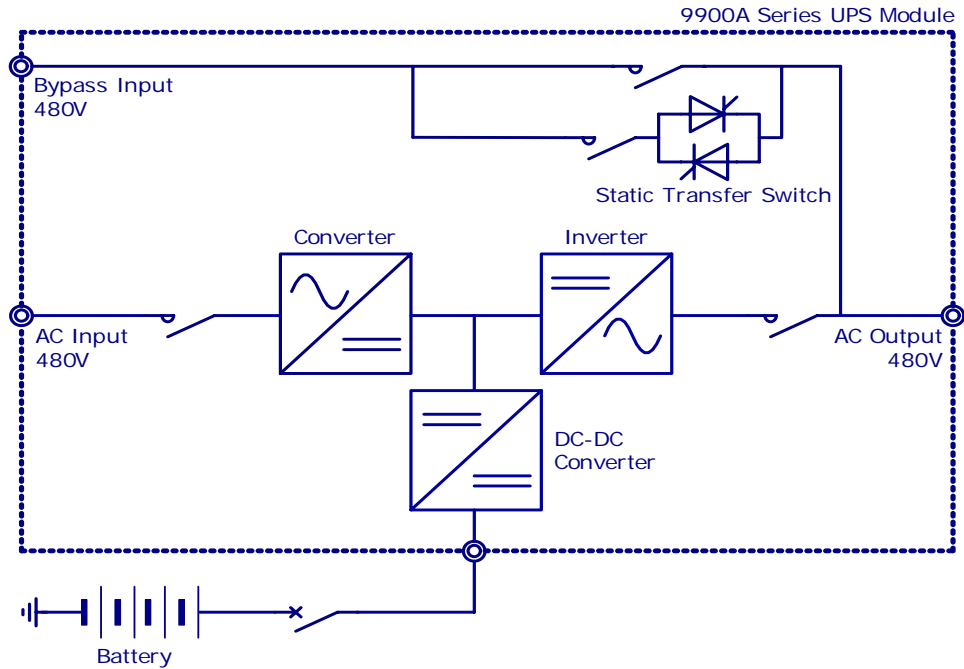
e, PA

Phone: 724-772-2555

Efficiency

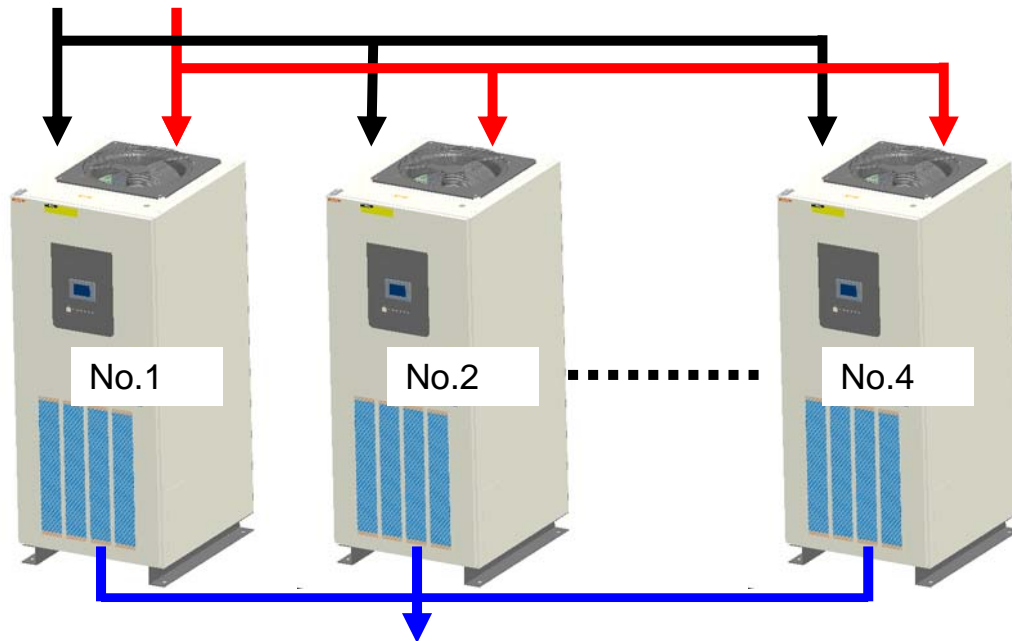


Single-Module System (SMS) One-Line



Multi-Module System (MMS) Configuration

AC input **Bypass**



- * Up to four UPS modules in parallel (Capacity or Redundant)
- * System operation and monitoring from any UPS module
- * Instantaneous equal load sharing
- * Cross current sensor less control – New technology