



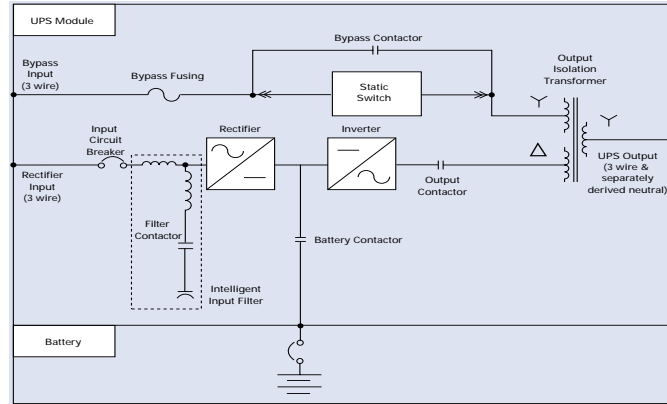
Powerware® 9315-50

Model 30 30kVA/24kW

Model 40 40kVA/32kW

Model 50 50kVA/40kW

One line Diagram



Note: Dual feed input not available for 208V or 220V input.

Features

- ▶ DC Expert™ Battery Management System
 - ▶ +/- 3% Battery Run Time
 - ▶ Battery Health Indication
- ▶ Powerware Hot Sync® Redundant Capability
- ▶ Large display panel provides metering, statistics, alarm history and an active mimic bus
- ▶ Prioritized cooling of components
- ▶ System Monitoring:
 - ▶ PowerVision network software
 - ▶ RS-232 port
 - ▶ SNMP conversion
 - ▶ Accessory port
 - ▶ Building alarm contacts
- ▶ Intelligent input filter option

Environmental Specifications

Ambient temperature: 0°C to +40°C
 Storage: -20°C to +70°C
 Relative humidity: 5-95% non-condensing
 Altitude: 1500 meters (5000ft.) at 40°C ambient temperature without load derating
 Audible noise: Less than 65 dBA at 1 meter; in accordance with ISO 7779
 Electrostatic discharge: Withstands 25kV without damage or disturbance to the load; exceeds requirements of IEC 801-2
 EMC: Meets FCC Class A and EN 50091-2 (CISPR 22, Class A)

Input Specifications

Voltage range: (See chart on other side)
 Frequency range: (60 Hz) 57-63 Hz; (50 Hz) 47-53 Hz
 Surge protection: Meets ANSI C62.41, Category A & B, EN 50091-2 and EN 50082-2
 Power factor: 0.95 typical at full load with input filter
 Input current distortion less than 7% with input filter

Specifications subject to change without notice.

Output Specifications

Voltage THD: Less than 5% (100% non-linear load with 3:1 crest factor); less than 3% (100% linear load)
 Voltage regulation: Better than ±1%
 Transient response: Less than 5% for 100% load step; full recovery within 1 cycle
 Frequency: (free run) ±0.005 Hz
 Frequency sync range: ±0.5 Hz
 Frequency slew rate: 1 Hz/second maximum
 Voltage adjustment range (operator): ±5%

Battery Specifications

Matching cabinets – Line-up or remote
 Battery type: Sealed, valve-regulated lead acid
 Recharge time: 10-12 times the discharge time to 95%
 Other battery options: Wet cell and nickel-cadmium batteries; open racks available

For battery run times and configurations, refer to Bulletin BAT01FXA.

Safety

UL1778 Listed
 CUL CAN/CSA C22.2 NO.107.1-M91 Listed
 EN 50091-1
 All cabinets provide seismic mounting features
 Selectable DC ground fault detection capability

POWERWARE 9315-50 PERFORMANCE CHARACTERISTICS



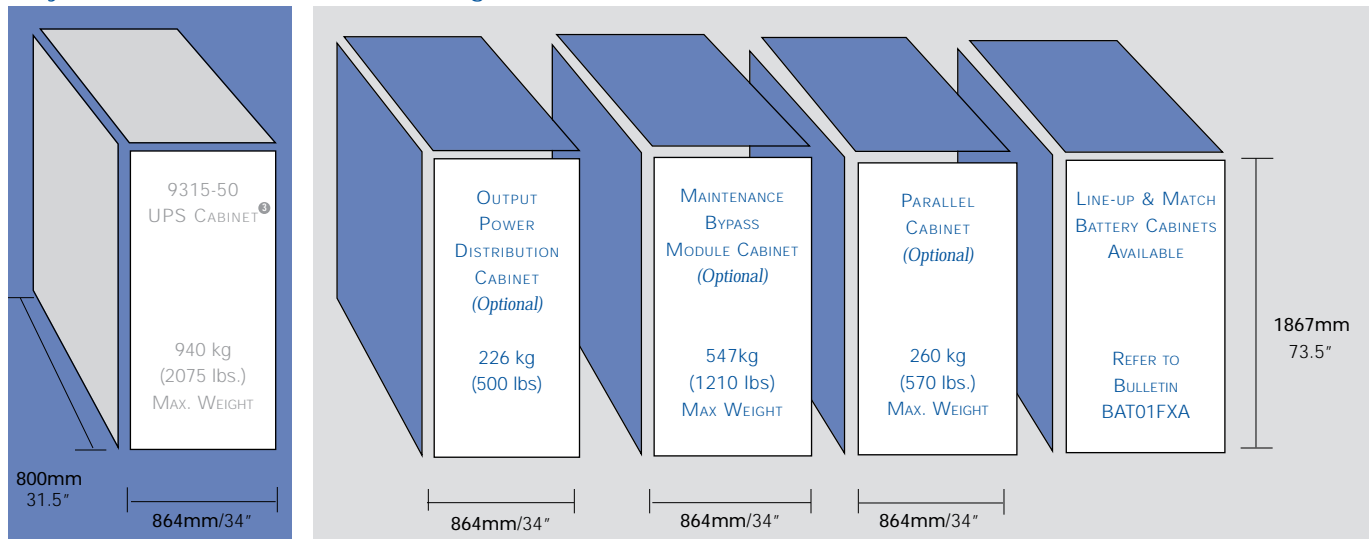
		Model 30					Model 40					Model 50				
		30kVA/24kW					40kVA/32kW					50kVA/40kW				
Input Voltage	Volts	480	480	208	220	600	480	480	208	220	600	480	480	208	220	600
Output Voltage	Volts	208	480	208	208	208	208	480	208	208	208	208	480	208	208	208
Input Voltage Range																
Minimum	Volts	408	408	177	187	510	408	408	177	187	510	408	408	177	187	510
Maximum	Volts	528	528	229	242	660	528	528	229	242	660	528	528	229	242	660
Input / Output Frequency	Hz	60	60	60	60	60	60	60	60	60	60	60	60	60	60	60
AC Input (With input filter)																
Nominal Amps	Amps	34	34	77	73	27	45	45	102	97	35	55	55	128	118	44
Maximum Amps ¹	Amps	42	42	96	91	33	56	56	128	120	44	69	69	160	147	55
AC Input (Without input filter)																
Nominal Amps	Amps	39	39	90	86	32	52	52	121	114	42	66	66	150	140	52
Maximum Amps ¹	Amps	49	49	113	107	39	65	65	151	143	52	82	82	188	175	65
Bypass Input																
Nominal Amps	Amps	36	36	83	79	29	48	48	111	105	38	60	60	139	131	48
AC Output																
Nominal Amps	Amps	83	36	83	83	83	111	48	111	111	111	139	60	139	139	139
10 Minutes Max.	Amps	104	45	104	104	104	139	60	139	139	139	174	75	174	174	174
DC Link																
Nominal DC Voltage	Volts	480	480	480	480	480	480	480	480	480	480	480	480	480	480	480
Float Voltage	Volts	540	540	540	540	540	540	540	540	540	540	540	540	540	540	540
End of Discharge ²	Volts	401	401	401	401	401	401	401	401	401	401	401	401	401	401	401
Maximum Amps ²	Amps	60	60	60	60	60	80	80	80	80	80	100	100	100	100	100
Physical Attributes (w/o batt.)																
Installed Weight	Lbs	1750	1750	2075	2075	2075	1750	1750	2075	2075	2075	1750	1750	2075	2075	2075
Installed Width	Inches	34	34	34	34	34	34	34	34	34	34	34	34	34	34	34
System Efficiencies (Typical)																
@ 100% Load	%	91	91	89	89	89	92	92	90	89	90	92	92	90	90	91
@ 75% Load	%	89	89	87	87	87	91	91	89	88	89	92	92	90	90	90
@ 50% Load	%	87	87	84	84	84	89	89	88	87	88	91	91	89	89	89
Full Load Heat Dissipation																
BTU/Hr. (x1000)		8.1	8.1	10.1	10.1	10.1	9.5	9.5	12.14	13.5	12.14	11.88	11.88	15.18	15.18	13.5
KCal/Hr. (x1000)		2.04	2.04	2.55	2.55	2.55	2.39	2.39	3.06	3.4	3.06	2.99	2.99	3.81	3.81	3.40
Inverter Efficiency (Full Load)	%	94	94	94	94	94	94	94	94	94	94	94	94	94	94	94

¹ Maximum Amps equals full load current plus battery recharge current. ² End of Discharge based on 1.67 v/cell. Maximum Amps based on 1.8 v/cell.

Casters are standard for ease of installation.

Specifications subject to change without notice.

Physical Dimensions and Weights



Shipping pallet and packaging adds 50 to 300 lbs. per shipping unit.

¹ All accessories feature plug and play capability.

All previously mentioned corporate names and brands are registered as trademarks by their respective companies.

1-877-PWRWARE (797-9273) Powerware Corporation, (Toll-free in US & Canada) Corporate Headquarters, 8609 Six Forks Road, Raleigh, NC 27615 USA
 Telephone (US): 1-919-872-3020; Fax (US): 1-800-753-9433; International Telephone: 1-919-870-3238; International Fax: 1-919-870-3300