

TOSHIBA

UNINTERRUPTIBLE POWER SYSTEMS



4200FA

4200FA Series

15/25/30/50 kVA UPS

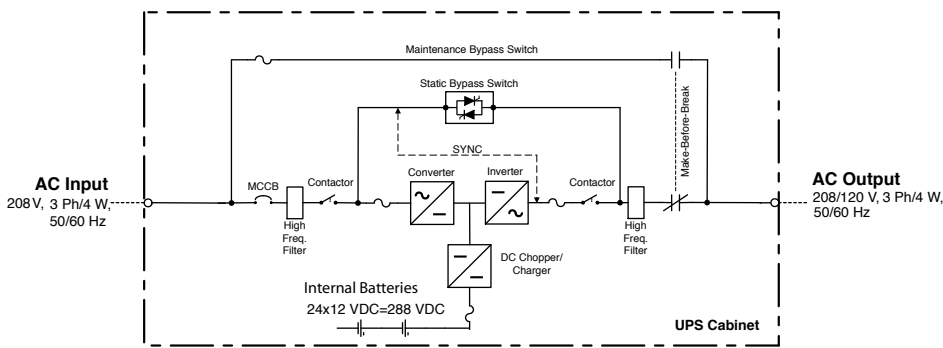
**3 Year
Warranty**

- True On-Line Double Conversion UPS
- Input Power Factor > 0.99
- Input Current THD < 3%
- Wide Input Voltage Window +20% to -30%
- Wide Input Frequency Window 45 to 65 Hz
- All IGBT 16 kHz Design (Rectifier/DC Converter/Inverter)
- Electronic Power Factor Correction for 100% Generator Compatibility
- Complete Front Access for Installation, Operation, and Service
- Internal Batteries
- Internal Maintenance Bypass Switch
- 100% Unbalanced Load Capability
- SNMP/Web-Based Monitoring

Reliability in motion®

4200FA CT 15/25/30/50 kVA UPS

Model Number		T42F3F150XAMB	T42F3F250XAMB	T42F3F300XAMB	T42F3F500XAMB
Capacity	kVA/kW	15/12	25/20	30/24	50/40
Topology	True On-line, Double Conversion, IGBT Pwm, with Active Input Power Factor Correction				
Input	Voltage	208/120 V, 3 Phase, 4 w + Gnd			
	Voltage Range	+10% to -30%; +20% to -30% online (without utilizing battery)			
	Power Factor	Greater than 0.99			
	Current THD	Less than 3%			
	Frequency	50/60 Hz (Range 45 to 65 Hz)			
	Current Limit	115% Maximum			
Output	Voltage	208/120 V, 3-Phase, 4 w + Gnd			
	Frequency	50/60 Hz \pm 0.01% (Can be Used as a Frequency Converter)			
	Voltage Regulation	< 1% Balanced, 100% Load Step / < 2% Unbalanced, 100% Load Step			
	Overload (Inverter)	125% for 90 Seconds, 150% for 30 Seconds			
	Overload (Bypass)	125% for 10 Minutes, 1000% for 10 Minutes per Second			
Battery	Time (Full / Half Load)	10/30 Minutes	5/15 Minutes	3/10 Minutes	5/15 Minutes
	DC Link	288 VDC			
	Ripple Voltage	< 0.5% DC			
Environment	Temperature Range	0 to 40° C (Operating) / -20 to +50° C (Storage)			
	Relative Humidity	0 to 95% Non-Condensing			
	Heat Rejection	5733 BTUs	7100 BTUs	9100 BTUs	17737 BTUs
	Efficiency	AC/DC/AC 87.7%, DC/AC 90%			
Dimensions	Dimensions (L x D x H)	20" x 36.3" x 59.8"			35.4" x 37.6" x 59.8"
	Weight (lb)	900	910	915	2548
	Altitude	6600 ft (2000 m) (Maximum without Derating)			
	Audible Noise	< 60 dBA at 1 m			< 65 dBA at 1 m
Features	Internal Make-Before-Break Maintenance Bypass Switch, RS232 and Dry Contact Interface				
Standards	UL 1778, cUL, NEC, ISO9001, ISO14001, ANSI C62.41 (IEEE 587), NEMA PE1-1993				
Warranty	(See Toshiba Warranty Policy for Full Details.)				
Service	7 x 24 Technical Support 1-877-867-8773 (1-UPS-TOS-UPS3)				



UPS ADJUSTABLE SPEED DRIVES MOTORS CONTROLS INSTRUMENTATION PLC

TOSHIBA

Available Through:

TOSHIBA INTERNATIONAL CORPORATION

INDUSTRIAL DIVISION

13131 West Little York Road, Houston, Texas 77041

Tel 713/466-0277 Fax 713/466-8773

US 800/231-1412 Canada 800/872-2192 Mexico 001/800/527-1204

www.toshiba.com/ind

Copyright 11/2006

